



Quality products. Built to last.

signature series citrus juicer



Also available in orange



- ✓ Compact size – 10¼" (26 cm) tall, 7¾" (20 cm) top diameter, 5¼" (13 cm) bottom diameter
- ✓ Able to extract up to 5 gallons (19 liters) per hour
- ✓ Quiet, high-torque motor
- ✓ Proven performance
- ✓ One-year warranty
- ✓ Crafted in the USA 



SUNKIST

Tel:800.383.7141 Fax:909.822.2125

10730 Bell Court

Rancho Cucamonga, CA 91730

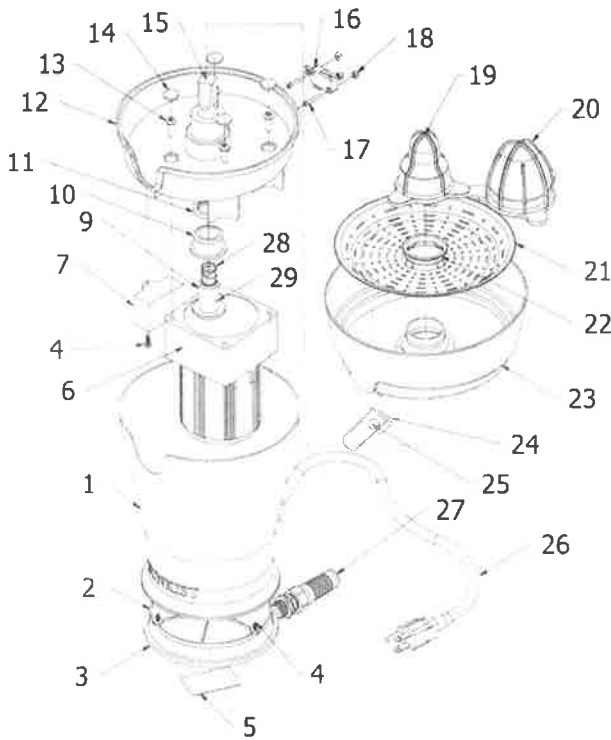
www.sunkistequipment.com

Sunkist

Signature Series Citrus Juicer Information

Effective: September 1, 2017

Individual Parts



<u>Diagram #</u>	<u>Part #</u>	<u>Description</u>
1	SSJ-01	Chrome Juicer Body
2	SSJ-02	Bottom Plate
3	SSJ-03	Rubber Foot Ring
4	SSJ-08	Screw; 6-20 x 3/8"
6	SSJ-06/SSJ-06A	80mm AC Gear Motor 115/60, 230/50-60
7	SSJ-27	Power Capacitor
9	SSJ-09	Male Coupling
10	PJF-06	Bearing-Delrin
11	PJF-07	Rotary Seal
12	SSJ-12/SSJ-12OR ¹	Juicer Lid Trim
13	SSJ-13	Button Head Screw MS-16mm
14	SSJ-14/SSJ-14OR ¹	Screw Cover
15	SSJ-15	Female Coupling
16	PJF-12	Micro Switch
17	SSJ-17	Button Head Screw 4-40 x 3/4"
18	SSJ-18	4-40 Nylock Nut
19	SSJ-19	Extracting Bulb-Lemon/Lime
20	SSJ-20	Extracting Bulb-Orange
21	SSJ-21	Stainless Steel Strainer
22	SSJ-22	Strainer Retainer Ring
23	SSJ-23/SSJ-23OR ¹	Juicer Lid
24	SSJ-24	Moveable Spout
25	SSJ-25	Rubber Spout Plug
26	SSJ-26A	Power Cord-USA
26	14A	Power Cord-International
27	50	Grommet
28	PJF-11	Spring
29	PJF-32	Roll Pin

OR¹ = Orange