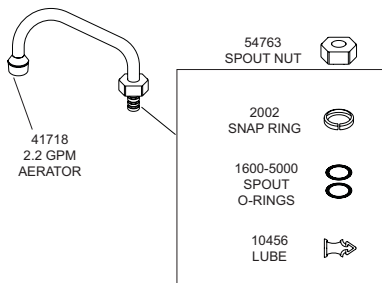
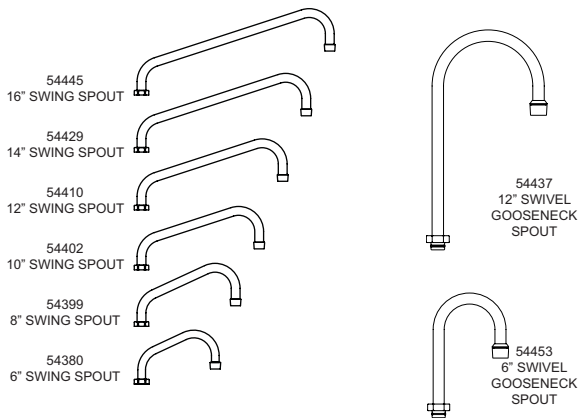


Replacement Parts for Stainless Steel 1/2" Swing & Swivel Gooseneck Spouts



FISHER
MANUFACTURING COMPANY
PO BOX 60, TULARE, CA 93275
(800)421-6162, FAX: (800)832-8238
www.fisher-mfg.com

PART NO. 77976

REV. A

FISHER
FISHER MANUFACTURING COMPANY

Stainless Steel 1/2" Swing & Swivel Gooseneck Spouts Product Installation Guide

Since 1936, Fisher Manufacturing Company has manufactured heavy-duty, high quality plumbing products and hardware specialties for the food service industry. For three generations, the Fisher family has adhered to a strict dedication of overall value. When you install Fisher products... you install the best. Our hardware is manufactured with the standardization of internal mechanisms. Every piece of equipment we make is rigorously tested in both our modern in-house testing center and in actual field situations under extreme conditions. Every detail is thoroughly checked. Before we make our products available to you, they pass each and every test. You get proven performance. Guaranteed.

Limited One Year Warranty

Fisher Manufacturing Company warrants its products and parts thereof (except as noted below) against defects in materials or workmanship for a period of one year after the date of original purchase. During this period Fisher Manufacturing Company will replace a defective product or part without charge to you, provided that the entire product is delivered to Fisher Manufacturing Company. All transportation and insurance charges for shipping the product to and from Fisher Manufacturing Company must be borne by you. Charges for transportation and insurance may, at the option of Fisher Manufacturing Company, be refunded depending upon our investigation of the warranty claim. This warranty does not cover external finish (except at date of original purchase) or labor costs not specifically authorized by Fisher Manufacturing Company.

A full and complete copy of our One Year limited warranty is available upon request.

WARNING:

Proposition 65 requires that we provide you with the following notice: "This product Contains A Chemical Known To The State Of California To Cause Birth Defects Or Other Reproductive Harm."



- 54380 - 6" Swing Spout
- 54399 - 8" Swing Spout
- 54402 - 10" Swing Spout
- 54410 - 12" Swing Spout
- 54429 - 14" Swing Spout
- 54445 - 16" Swing Spout
- 54437 - 12" Swivel Gooseneck Spout
- 54453 - 6" Swivel Gooseneck Spout

KEEP THIS MANUAL FOR FUTURE REFERENCE

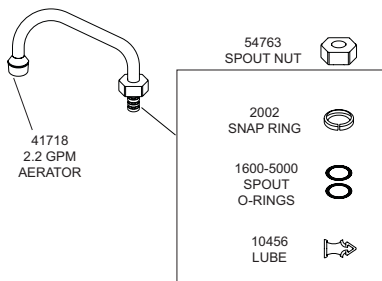
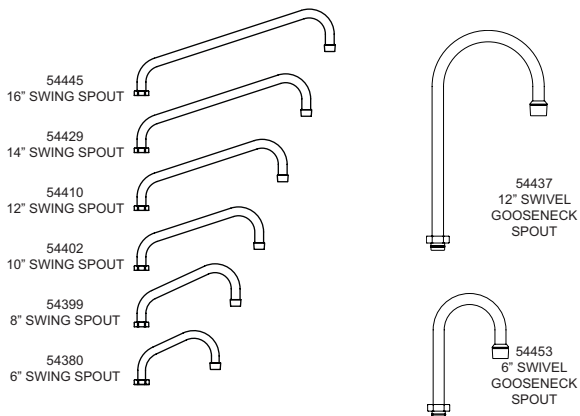


ANSI/A112.18.1M, ANSI/NSF 61.9

FISHER MANUFACTURING COMPANY - TOLL FREE: 800-421-6162 FAX: 800-832-8238

www.noleadfaucet.com

Replacement Parts for Stainless Steel 1/2" Swing & Swivel Gooseneck Spouts



FISHER
MANUFACTURING COMPANY
PO BOX 60, TULARE, CA 93275
(800)421-6162, FAX: (800)832-8238
www.fisher-mfg.com

PART NO. 77976

REV. A

FISHER
FISHER MANUFACTURING COMPANY

Stainless Steel 1/2" Swing & Swivel Gooseneck Spouts Product Installation Guide

Since 1936, Fisher Manufacturing Company has manufactured heavy-duty, high quality plumbing products and hardware specialties for the food service industry. For three generations, the Fisher family has adhered to a strict dedication of overall value. When you install Fisher products... you install the best. Our hardware is manufactured with the standardization of internal mechanisms. Every piece of equipment we make is rigorously tested in both our modern in-house testing center and in actual field situations under extreme conditions. Every detail is thoroughly checked. Before we make our products available to you, they pass each and every test. You get proven performance. Guaranteed.

Limited One Year Warranty

Fisher Manufacturing Company warrants its products and parts thereof (except as noted below) against defects in materials or workmanship for a period of one year after the date of original purchase. During this period Fisher Manufacturing Company will replace a defective product or part without charge to you, provided that the entire product is delivered to Fisher Manufacturing Company. All transportation and insurance charges for shipping the product to and from Fisher Manufacturing Company must be borne by you. Charges for transportation and insurance may, at the option of Fisher Manufacturing Company, be refunded depending upon our investigation of the warranty claim. This warranty does not cover external finish (except at date of original purchase) or labor costs not specifically authorized by Fisher Manufacturing Company.

A full and complete copy of our One Year limited warranty is available upon request.

WARNING:

Proposition 65 requires that we provide you with the following notice: "This product Contains A Chemical Known To The State Of California To Cause Birth Defects Or Other Reproductive Harm."



- 54380 - 6" Swing Spout
- 54399 - 8" Swing Spout
- 54402 - 10" Swing Spout
- 54410 - 12" Swing Spout
- 54429 - 14" Swing Spout
- 54445 - 16" Swing Spout
- 54437 - 12" Swivel Gooseneck Spout
- 54453 - 6" Swivel Gooseneck Spout

KEEP THIS MANUAL FOR FUTURE REFERENCE



ANSI/A112.18.1M, ANSI/NSF 61.9

FISHER MANUFACTURING COMPANY - TOLL FREE: 800-421-6162 FAX: 800-832-8238

www.noleadfaucet.com

Installation Instructions for SS 1/2" Swing & Swivel Gooseneck Spouts

BE SURE TO CHECK WITH YOUR LOCAL DEPARTMENT HAVING JURISDICTION REGARDING BACKFLOW PREVENTION

Installation Notes:

- Be sure to shut off water supply before beginning.
- Use pipe thread sealant such as PST on all threaded joints.
- Check the packaging for missing items BEFORE beginning installation. If items are missing, contact your supplier.

Tools Required for Installation

- Medium Sized Adjustable Wrench



Package Contents:



Swing or Swivel Gooseneck Spout
Length determined by model
Qty: 1



1600-5000
O-ring
Qty:2



2002
Snap Ring
Qty:1



10456
Lube
Qty:1

Installation Instructions

1. Turn off the water supply.
2. Loosen swing or swivel gooseneck spout (see Fig.1) by turning it counterclockwise. (May require adjustable wrench) Lift swing or swivel gooseneck spout out of control valve body.
3. Before installing the new spout make sure the o-rings and snap ring are in place on the spout.(see Fig.2)
4. Lightly lubricate the inside area of the faucet body (see Fig.3), where the spout goes.Carefully align spout with faucet body so that when the spout slides into the faucet body, it will go in straight as not to cause the orings to bind and come of of the spout grooves. Firmly press the spout into the faucet body. Tighten spout nut firmly, with a wrench.
5. Turn on water supply and check for leaks

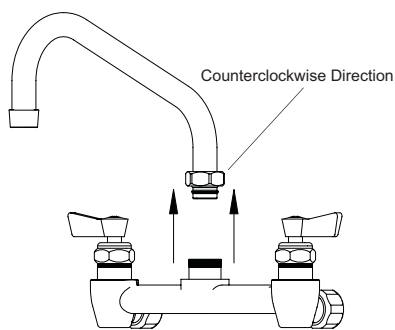


Fig.1 (Removal of old Swing Spout)

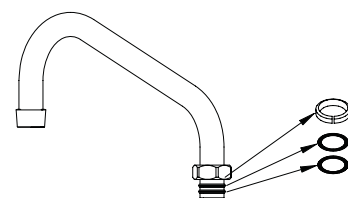


Fig.2 (O-rings and snap ring locations)

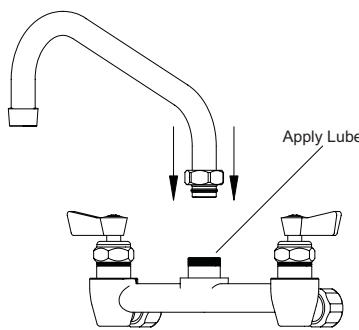
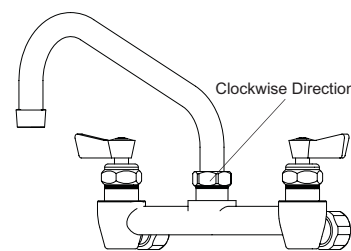


Fig.3 (Installation of new Swing Spout)



Installation Instructions for SS 1/2" Swing & Swivel Gooseneck Spouts

BE SURE TO CHECK WITH YOUR LOCAL DEPARTMENT HAVING JURISDICTION REGARDING BACKFLOW PREVENTION

Installation Notes:

- Be sure to shut off water supply before beginning.
- Use pipe thread sealant such as PST on all threaded joints.
- Check the packaging for missing items BEFORE beginning installation. If items are missing, contact your supplier.

Tools Required for Installation

- Medium Sized Adjustable Wrench



Package Contents:



Swing or Swivel Gooseneck Spout
Length determined by model
Qty: 1



1600-5000
O-ring
Qty:2



2002
Snap Ring
Qty:1



10456
Lube
Qty:1

Installation Instructions

1. Turn off the water supply.
2. Loosen swing or swivel gooseneck spout (see Fig.1) by turning it counterclockwise. (May require adjustable wrench) Lift swing or swivel gooseneck spout out of control valve body.
3. Before installing the new spout make sure the o-rings and snap ring are in place on the spout.(see Fig.2)
4. Lightly lubricate the inside area of the faucet body (see Fig.3), where the spout goes.Carefully align spout with faucet body so that when the spout slides into the faucet body, it will go in straight as not to cause the orings to bind and come of of the spout grooves. Firmly press the spout into the faucet body. Tighten spout nut firmly, with a wrench.
5. Turn on water supply and check for leaks

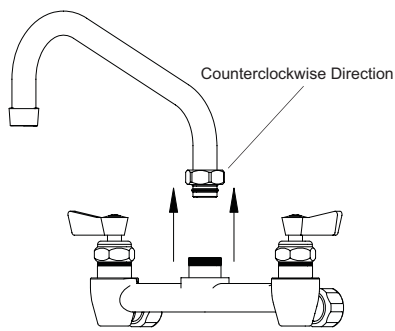


Fig.1 (Removal of old Swing Spout)

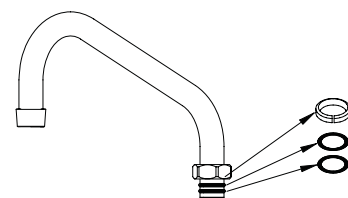


Fig.2 (O-rings and snap ring locations)

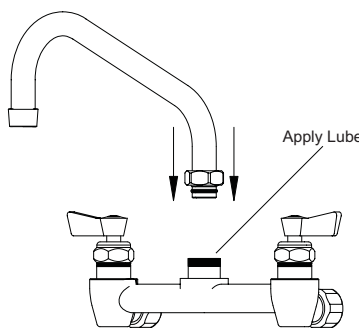


Fig.3 (Installation of new Swing Spout)

