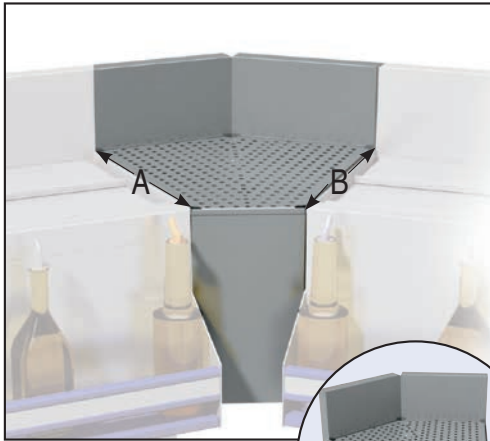
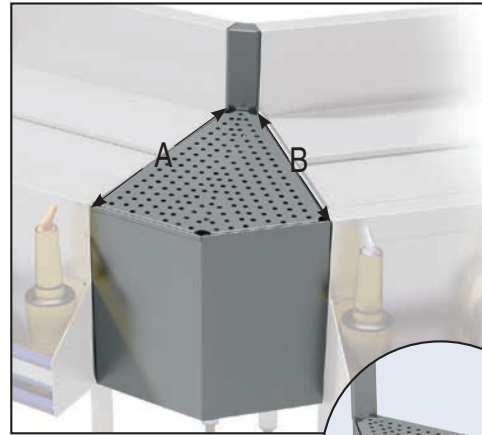


Item #: _____	Qty #: _____
Model #: _____	
Project #: _____	



**INSIDE CORNER**  
*PRF-20-45IC Shown*



**OUTSIDE CORNER**  
*PRF-20-45OC Shown*

**FEATURES:**

- 7" High X 1-3/4" Thick Backsplash.
- Must be Bolted to existing line-up equipment.
- Removable perforated drainboard top.
- Can be used on left or right side.

**MECHANICAL:**

- 1" IPS drain.
- Removable perforated drainboard top.

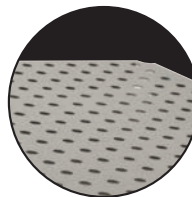
**MATERIAL:**

- 20 gauge, 300 stainless steel.
- Drainboard:** 18 gauge, 300 stainless steel.

Model #	Size (A) x (B)	Approx. Weight	Approx. Cu. Ft.
<b>PRF-20-45IC or OC*</b>	20" x 20"	82 lbs.	16
<b>PRF-25-45IC or OC*</b>	25" x 25"	84 lbs.	16

\* IC = Inside Corner OC = Outside Corner

**PLEASE NOTE: FILLERS BUILT TO ORDER & CAN NOT BE RETURNED**



**Removable Perforated  
Drainboard Top Included**

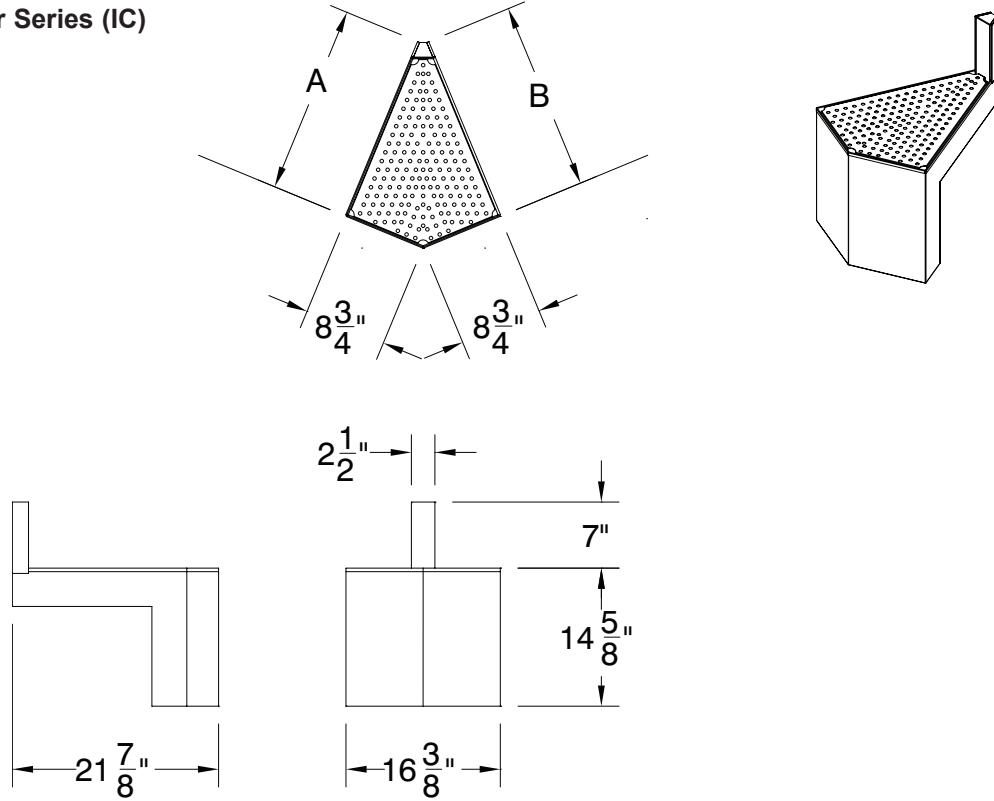
**OPTIONAL STAINLESS STEEL LEGS W/ ADJUSTABLE STAINLESS STEEL BULLET FEET & CUSTOM SIZES AVAILABLE**  
Consult Factory For Details

# DIMENSIONS and SPECIFICATIONS

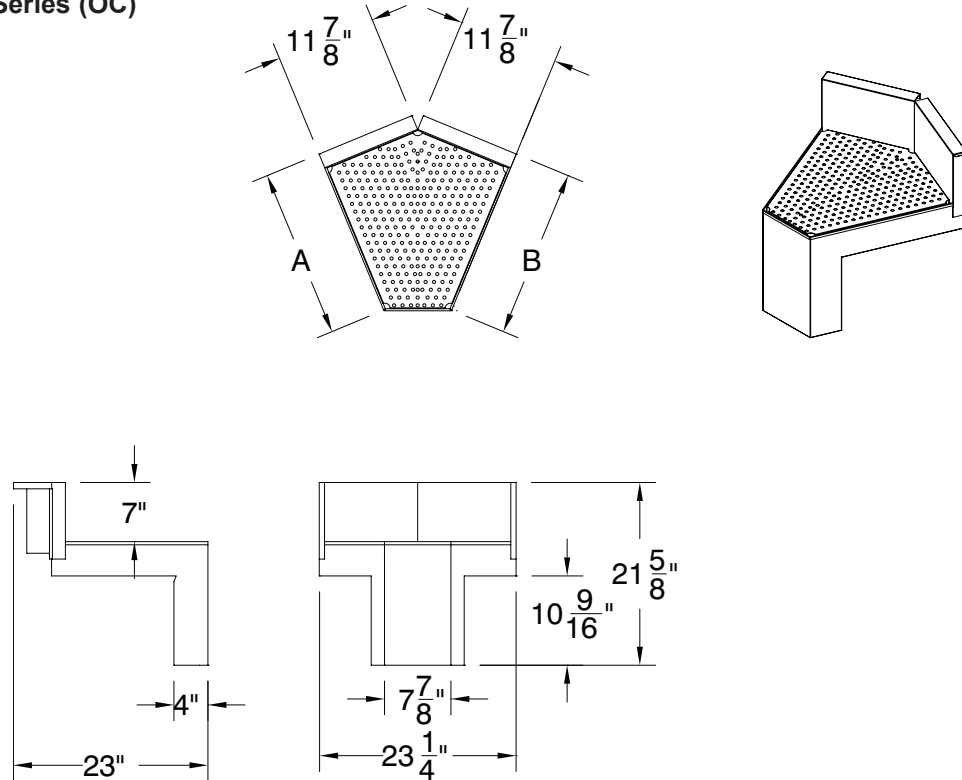
TOL Overall:  $\pm .500"$  Interior:  $\pm .250"$

ALL DIMENSIONS ARE TYPICAL

## PRF Inside Corner Series (IC)



## PRF Inside Corner Series (OC)



ADVANCE TABCO is constantly engaged in a program of improving our products. Therefore, we reserve the right to change specifications without prior notice.