



# BEVERAGE-AIR

3779 Champion Blvd., Winston-Salem, NC 27105  
1-888-845-9800 Fax# 1-336-245-6453  
<http://www.Beverage-Air.com>

Item No. \_\_\_\_\_  
Quantity \_\_\_\_\_

## BOTTOM MOUNTED REACH-IN FREEZERS

Vista Series  
Glass Door

FB23-1G  
FB27-1G  
FB49-1G  
FB72-5G

**CUSTOMER'S CHOICE FOR A HOT KITCHEN**  
**Tested & Certified to Ambient Class of 100°F**

### 3 Year Parts/Labor Warranty Additional 2 Year Compressor Warranty

#### CABINET CONSTRUCTION

- Exterior—Stainless steel front & glass door(s), robust gray painted exterior sides
- Aluminum Interior
- Insulation—foamed-in-place CFC and HCFC-free polyurethane insulation.
- One-piece grille allows easy removal/installation for preventative maintenance.

#### MECHANICAL CONTROL

#### REFRIGERATION SYSTEM

- Bottom mount balanced refrigeration system for better ergonomics.
- Automatic condensate evaporation system for energy efficiency.
- Forced-air system ensures uniform distribution of airflow throughout the entire cabinet to ensure even product temperatures. Freezers maintain product temperatures to -10°F
- Self-contained refrigeration system uses environmentally friendly (CFC and HCFC-free) R404A refrigerant.
- Defrost system is automatic, time-initiated and temperature terminated operation.

#### DOORS

- Glass door configuration
- Highly efficient triple pane glass. Glass is heated to prevent any condensation formation. Inside and outside panes are tempered for added safety.
- Anti-microbial door handles and door locks are standard.
- Spring-loaded hinges standard. Positive seal self-closing door(s) with 120° stay open feature.
- Plug-in magnetic door gaskets of one piece construction, removable without tools for ease of cleaning.

#### SHELVING

- Three (3) heavy duty epoxy coated wire shelves per section standard. Four (4) shelf clips included per shelf (field installed).
- Shelves are adjustable in ½" increments.

#### MODEL FEATURES

- LED interior lighting
- 6" heavy-duty casters included, two with brakes standard. 3" casters or 6" legs optional.
- Pre-wired plug for 115/60/1 phase.
- Epoxy coated evaporator prevents corrosion.
- UL-EPH and CUL for open food product.



**FB23-1G**

Available From:



\*Note: Not all markings may apply to all model variations.

Model Specified \_\_\_\_\_

Store# \_\_\_\_\_

Location \_\_\_\_\_

Quantity \_\_\_\_\_



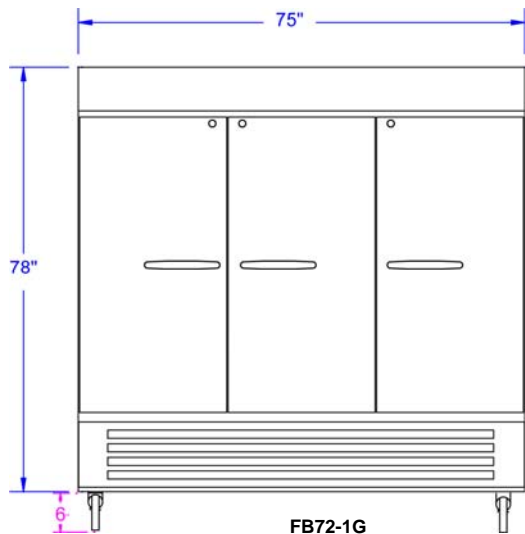
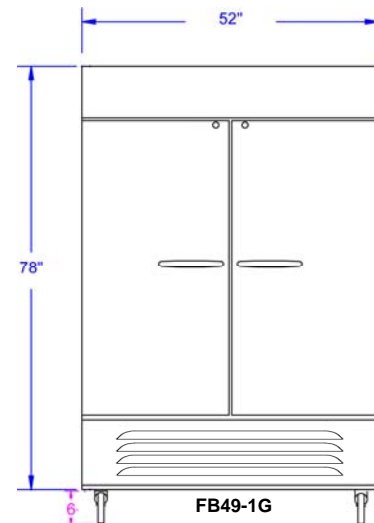
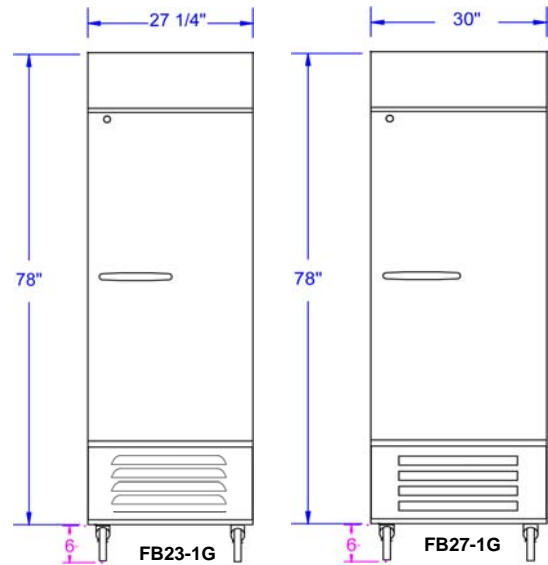
**BEVERAGE-AIR**

**Vista Series Bottom Mount Freezers**

Models: FB23-1G, FB27-1G, FB49-1G, FB72-5G

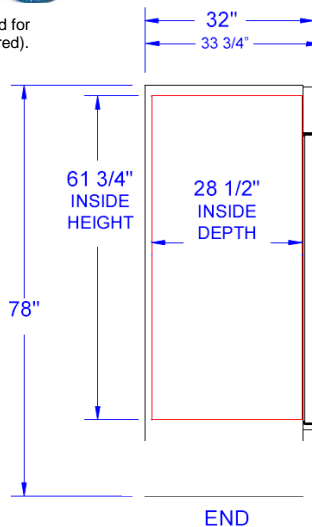
MODEL	FB23-1G	FB27-1G	FB49-1G	FB72-5G
<b>EXTERNAL DIMENSIONAL DATA</b>				
Length Overall (inches)	27 1/4"	30"	52"	75"
Length Overall (mm)	692	762	1321	1905
Depth Overall (inches) - includes handle	33 3/4"	33 3/4"	33 3/4"	33 3/4"
Depth Overall (mm) - includes handle	857	857	857	857
Height Overall— (inches) / (mm) Add 6" for legs or casters	78" / 1981	78" / 1981	78" / 1981	78" / 1981
Number of doors	1	1	2	3
Depth with Door Open 90 °	60"	60"	60"	60"
<b>INTERNAL DIMENSIONAL DATA</b>				
NET Capacity (cubic ft.)	23	27	49	72
NET Capacity (Liters)	651	765	1388	2039
Internal Length Overall (inches)	24"	27"	49"	72"
Internal Length Overall (mm)	610	686	1245	1829
Internal Depth Overall (inches)	28 1/2"	28 1/2"	28 1/2"	28 1/2"
Internal Depth Overall (mm)	724	724	724	724
Internal Height Overall—(inches)	61 3/4"	61 3/4"	61 3/4"	61 3/4"
Internal Height Overall—(mm)	1569	1569	1569	1569
Number of shelves	3	3	6	9
<b>ELECTRICAL DATA</b>				
Full Load Amperes 115/60/1	10.9 A	11.9 A	11.9 A	11.9 A
<b>REFRIGERATION DATA</b>				
Horsepower	1/2	3/4	3/4	3/4
<b>WEIGHT DATA</b>				
Gross Weight (Crated lbs)	446	516	651	858
Gross Weight (Crated kg)	202	234	295	389

**PLAN VIEWS**



\*Note: Freezers powered by 115/208-230 volts are designed for field wiring (requires 4-wire electrical circuit, hard-wired).

Note: Not all markings may apply to all model variations.



**BEVERAGE-AIR® CORPORATION**

3779 Champion Blvd. • Winston-Salem, NC 27105 USA • (336) 245-6400 • Fax (336) 245-6453 • (888) 845-9800 • www.beverage-air.com

Specifications are subject to change without prior notice. 04/15