

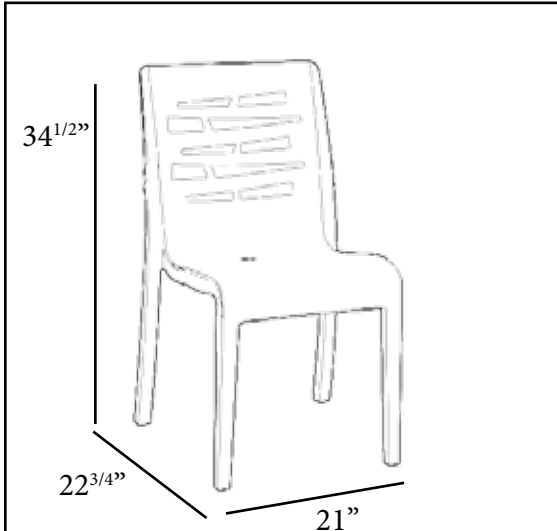


New!

E
X
T
E
R
I
O
R

Essenza Stacking Chair

Passes ASTM F 1561-96 Class B performance standard for commercial use.



Features & Benefits **Warranty: 5 Yrs.**

- Crafted from Grosfillex® technopolymer with Air Molding Technology for durability
- BIFMA X5.1-11 certified for indoor/outdoor business use
- Stackable for easy storage
- Nylon footpads to resist abrasive surfaces
- Made of recyclable polymer
- Will not get hot in the sun
- Easy to clean with soap and water
- Made in the U.S.A.



Product Specifications

| Product Description | Reference Number | Color | UPC Code 014306 | Weight Each (lbs.) | Master Pack | Master Pack Volume (cu. ft.) |
|-----------------------------|------------------|------------|--------------------|-----------------------|-------------|---------------------------------|
| New! Essenza Stacking Chair | US218414 | Red | 921815 | 10.25 | 16 | 34.11 |
| | US812414 | Red | 921815 | 10.68 | 4 | 16.96 |
| | US218019 | Orange | 921822 | 10.25 | 16 | 34.11 |
| | US812019 | Orange | 921822 | 10.68 | 4 | 16.96 |
| | US218152 | Fern Green | 920658 | 10.25 | 16 | 34.11 |
| | US812152 | Fern Green | 920658 | 10.68 | 4 | 16.96 |
| | US218181 | Taupe | 921839 | 10.25 | 16 | 34.11 |
| | US812181 | Taupe | 921839 | 10.68 | 4 | 16.96 |