



Profit from the Eagle Advantage®

# Specification Sheet

## Short Form Specifications

Eagle Spec-Bar® Beer Drainer Workboard, model \_\_\_\_\_. Heavy gauge type 304 stainless steel body, legs, leg channels and cross rails. 4" x 4" x 6½" tubing chase. Top has 1½" drain with removable perforated insert. Stainless steel adjustable bullet feet.



Item No.:	_____
Project No.:	_____
S.I.S. No.:	_____

## Spec-Bar® Beer Drainers

### MODELS:

- BD18-19
- BD18-24
- BD24-19
- BD24-24
- BD30-19
- BD30-24

### Design and Construction Features

- Body, legs and crossbracing constructed of type 304 stainless steel for strength and corrosion resistance.
- Backsplash, sides, bottom, front panel, rear deck, tubing chase, drain pan and perforated insert are 20 gauge stainless steel.
- Leg channels, legs and crossbracing are 16 gauge stainless steel.
- Legs are 1½" (41mm)-diameter, with stainless steel adjustable bullet feet.
- 4" x 4" x 6½" (102 x 102 x 165mm)-high tubing chase built into rear deck.
- Removable perforated stainless steel front insert.
- 1½" (38mm) I.P.S. threaded drain with nut and washer.

**EAGLE GROUP**  
 100 Industrial Boulevard, Clayton, DE 19938-8903 USA  
 Phone: 302-653-3000 • Fax: 302-653-2065  
 www.eaglegrp.com

**Foodservice Division: Phone 800-441-8440**  
**MHC/Retail Display Divisions: Phone 800-637-5100**

For custom configuration or fabrication needs, contact our **SpecFAB® Division**.  
 Phone: 302-653-3000 • Fax: 302-653-3091 • e-mail: specfab@eaglegrp.com



EG40.33 Rev. 04/11

**Spec sheets available for viewing, printing or downloading from our online literature library at [www.eaglegrp.com](http://www.eaglegrp.com)**

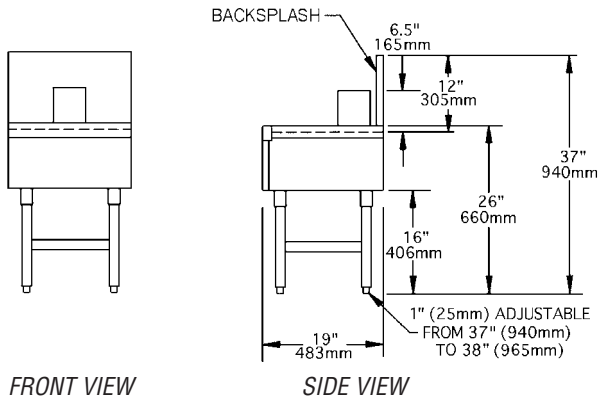
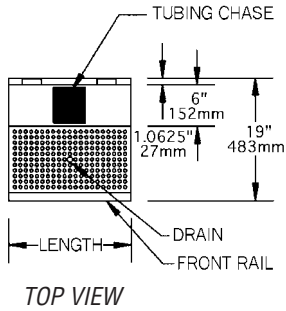


Profit from the Eagle Advantage®

Item No.: \_\_\_\_\_  
 Project No.: \_\_\_\_\_  
 S.I.S. No.: \_\_\_\_\_

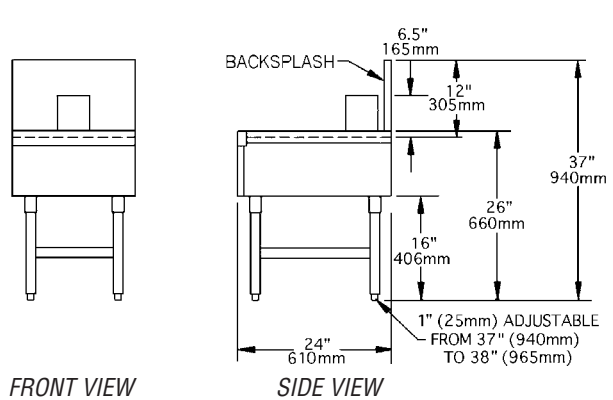
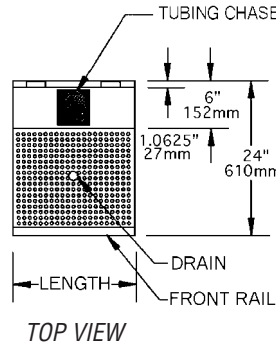
## Spec-Bar® Beer Drainers

### 19" (483mm)-wide Units



model #	length		weight	
	in.	mm	lbs.	kg
BD18-19	18"	457	25	11.3
BD24-19	24"	610	30	13.6
BD30-19	30"	762	35	15.9

### 24" (610mm)-wide Units



model #	length		weight	
	in.	mm	lbs.	kg
BD18-24	18"	457	28	12.7
BD24-24	24"	610	33	15.0
BD30-24	30"	762	42	19.1

**EAGLE GROUP**  
 100 Industrial Boulevard, Clayton, DE 19938-8903 USA  
 Phone: 302-653-3000 • Fax: 302-653-2065  
 www.eaglegrp.com

Foodservice Division: Phone 800-441-8440  
 MHC/Retail Display Divisions: Phone 800-637-5100

Printed in U.S.A.  
 ©2011 by Eagle Group

Rev. 04/11

Spec sheets available for viewing, printing or downloading from our online literature library at [www.eaglegrp.com](http://www.eaglegrp.com)

Although every attempt has been made to ensure the accuracy of the information provided, we cannot be held responsible for typographical or printing errors. Information and specifications are subject to change without notice. Please confirm at time of order.