

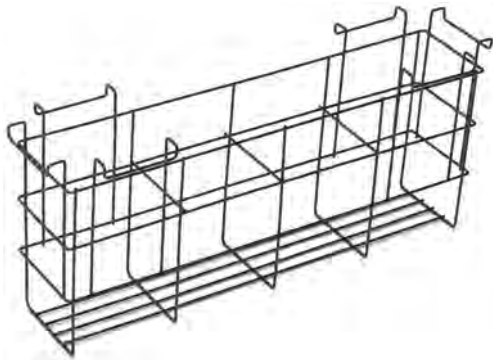


Profit from the Eagle Advantage®

Specification Sheet

Short Form Specifications

Eagle Spec-Bar® Bottle Racks, model _____. Vinyl coated (3-bottle, 4-bottle) wire racks with optional 20 gauge type 304 stainless steel divider walls.



Item No.:	_____
Project No.:	_____
S.I.S. No.:	_____

Spec-Bar® Bottle Racks

MODELS:

- | | | | |
|------------------------------------|------------------------------------|---------------------------------|---------------------------------|
| <input type="checkbox"/> BR3-19 | <input type="checkbox"/> BR4-24 | <input type="checkbox"/> IC3-12 | <input type="checkbox"/> IC4-12 |
| <input type="checkbox"/> BR6-12-19 | <input type="checkbox"/> BR8-12-24 | <input type="checkbox"/> IC3-18 | <input type="checkbox"/> IC4-18 |
| <input type="checkbox"/> BR6-18-19 | <input type="checkbox"/> BR8-18-24 | <input type="checkbox"/> IC3-24 | <input type="checkbox"/> IC4-24 |
| <input type="checkbox"/> BR6-24-19 | <input type="checkbox"/> BR8-24-24 | <input type="checkbox"/> IC3-30 | <input type="checkbox"/> IC4-30 |
| <input type="checkbox"/> BR6-30-19 | <input type="checkbox"/> BR8-30-24 | <input type="checkbox"/> IC3-36 | <input type="checkbox"/> IC4-36 |
| <input type="checkbox"/> BR6-36-19 | <input type="checkbox"/> BR8-36-24 | <input type="checkbox"/> IC3-42 | <input type="checkbox"/> IC4-42 |
| <input type="checkbox"/> BR6-42-19 | <input type="checkbox"/> BR8-42-24 | <input type="checkbox"/> IC3-48 | <input type="checkbox"/> IC4-48 |
| <input type="checkbox"/> BR6-48-19 | <input type="checkbox"/> BR8-48-24 | | |

Design and Construction Features

- Bottle racks are wire coated with vinyl for rust resistance.
- Divider walls are constructed of 20 gauge type 304 stainless steel to separate bottle chilling ice from ice to be consumed.
- Replacement stainless steel ice bin covers available.

Note: Bottle racks fit any Spec-Bar® ice chest and consist of one or two 3-bottle configured (for 19" [483mm] wide ice chests) or 4-bottle configured (for 24" [610mm] wide ice chests) vinyl coated wire rack(s) with stainless steel divider wall(s). The bottle compartment can be dry or filled with ice to chill the bottles. If the divider wall is not required, simply order the 3-bottle or 4-bottle wire rack separately. For units 12" (305mm) in length, "left" or "right" placement is determined by the user.

Options / Accessories

- 3-bottle wire rack
- 4-bottle wire rack

EAGLE GROUP
 100 Industrial Boulevard, Clayton, DE 19938-8903 USA
 Phone: 302-653-3000 • Fax: 302-653-2065
 www.eaglegrp.com

Foodservice Division: Phone 800-441-8440
MHC/Retail Display Divisions: Phone 800-637-5100

For custom configuration or fabrication needs, contact our **SpecFAB® Division**.
 Phone: 302-653-3000 • Fax: 302-653-3091 • e-mail: quotes@eaglegrp.com



EG40.23 Rev. 02/13

Spec sheets available for viewing, printing or downloading from our online literature library at www.eaglegrp.com

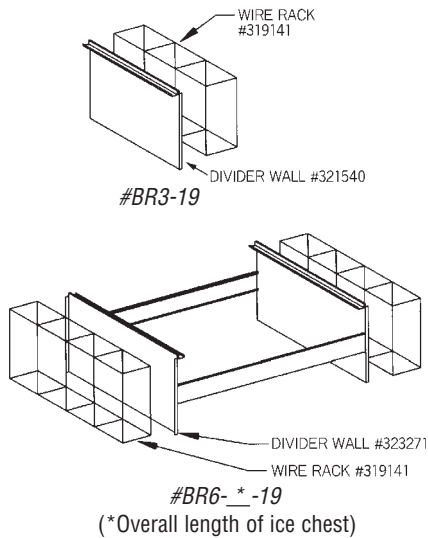


Profit from the Eagle Advantage®

Item No.: _____
 Project No.: _____
 S.I.S. No.: _____

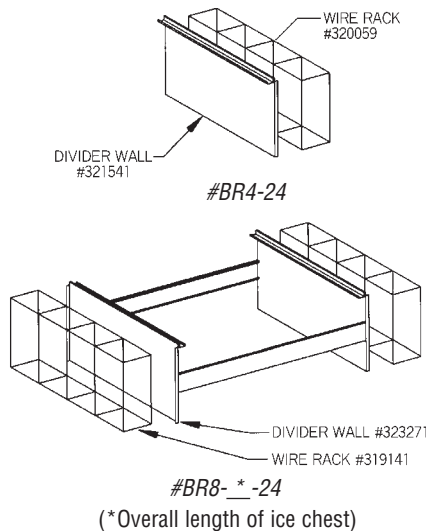
Spec-Bar® Bottle Racks

**19" (483mm)-wide units
with 3-bottle wire racks**



model #	for ice chest length		weight		bottle capacity
	in.	mm	lbs.	kg	
BR3-19	all		2	0.9	3
BR6-12-19	12"	305	4	1.8	6
BR6-18-19	18"	457	6	2.7	6
BR6-24-19	24"	610	8	3.6	6
BR6-30-19	30"	762	10	4.5	6
BR6-36-19	36"	914	12	5.4	6
BR6-42-19	42"	1067	14	6.4	6
BR6-48-19	48"	1219	16	7.3	6

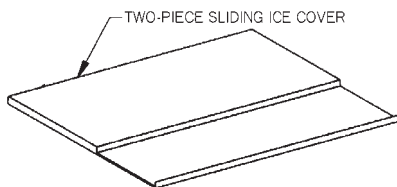
**24" (610mm)-wide units
with 4-bottle wire racks**



model #	for ice chest length		weight		bottle capacity
	in.	mm	lbs.	kg	
BR4-24	all		2	0.9	4
BR8-12-24	12"	305	4	1.8	8
BR8-18-24	18"	457	6	2.7	8
BR8-24-24	24"	610	8	3.6	8
BR8-30-24	30"	762	10	4.5	8
BR8-36-24	36"	914	12	5.4	8
BR8-42-24	42"	1067	14	6.4	8
BR8-48-24	48"	1219	16	7.3	8

Replacement Ice Bin Covers

20 gauge type 304 stainless steel.



FOR 19"-WIDE ICE CHESTS		FOR 24"-WIDE ICE CHESTS		for ice chest length	
model #	model #	in.	mm		
IC3-12	IC4-12	12"	305		
IC3-18	IC4-18	18"	457		
IC3-24	IC4-24	24"	610		
IC3-30	IC4-30	30"	762		
IC3-36	IC4-36	36"	914		
IC3-42	IC4-42	42"	1067		
IC3-48	IC4-48	48"	1219		

EAGLE GROUP
 100 Industrial Boulevard, Clayton, DE 19938-8903 USA
 Phone: 302-653-3000 • Fax: 302-653-2065
 www.eaglegrp.com

Foodservice Division: Phone 800-441-8440
 MHC/Retail Display Divisions: Phone 800-637-5100

Printed in U.S.A.
 ©2013 by Eagle Group

Rev. 02/13

Spec sheets available for viewing, printing or downloading from our online literature library at www.eaglegrp.com

Although every attempt has been made to ensure the accuracy of the information provided, we cannot be held responsible for typographical or printing errors. Information and specifications are subject to change without notice. Please confirm at time of order.