

Sliding Stainless Steel Cover Included



D-24-IBL Shown

Item #: _____	Qty #: _____
Model #: _____	
Project #: _____	

FEATURES:

10" deep ice bin.
Optional 7-Circuit cold plate sealed into the bottom.
Rubber thermal breaker reduces condensation.
Includes stainless steel sliding cover.

MECHANICAL:

1" IPS drain (non-cold plate models)
1/2" IPS drain (cold plate models)

MATERIAL:

Ice Bin: 20 gauge, 300 stainless steel
Jacket: 20 gauge galvanized steel
Cover: 20 gauge stainless steel
Ice Bin Insulation: 2 lbs. density foam-in-place
Molding: Extruded black polyethylene thermal breaker marine edge

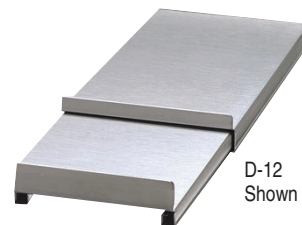
Model #	Dimension (L)	Dimension (B)	Cut Out Size W x L	Ice Capacity	Approx. Weight	Approx. Cu. Ft.
D-12-IBL	12"	6"	15 1/4" x 9 5/8"	23 lbs.	22 lbs.	3
D-24-IBL	21"	10 1/2"	15 1/4" x 20 3/8"	50 lbs.	39 lbs.	5
D-30-IBL	27"	13 1/2"	15 1/4" x 26 3/8"	62 lbs.	62 lbs.	8
D-36-IBL	33"	16 1/2"	15 1/4" x 32 3/8"	75 lbs.	67 lbs.	9

With 7-Circuit Cold Plate

D-24-IBL-7	21"	10 1/2"	15 1/4" x 20 3/8"	50 lbs.	84 lbs.	5
D-30-IBL-7	27"	13 1/2"	15 1/4" x 26 3/8"	62 lbs.	107 lbs.	8
D-36-IBL-7	33"	16 1/2"	15 1/4" x 32 3/8"	75 lbs.	113 lbs.	9

REPLACEMENT ICE BIN COVERS

Model #	For Use With:
D-12	D-12-IBL, D-24-WSIBL, D-24-WSIBL2, D-24-SIBL
D-24	D-24-IBL, D-24-IBL-7
D-24V	D-24-IBL, D-24-IBL-7 Units oriented with 18" dimension left-to-right
D-30	D-30-IBL, D-30-IBL-7
D-36	D-36-IBL, D-36-IBL-7



D-12 Shown

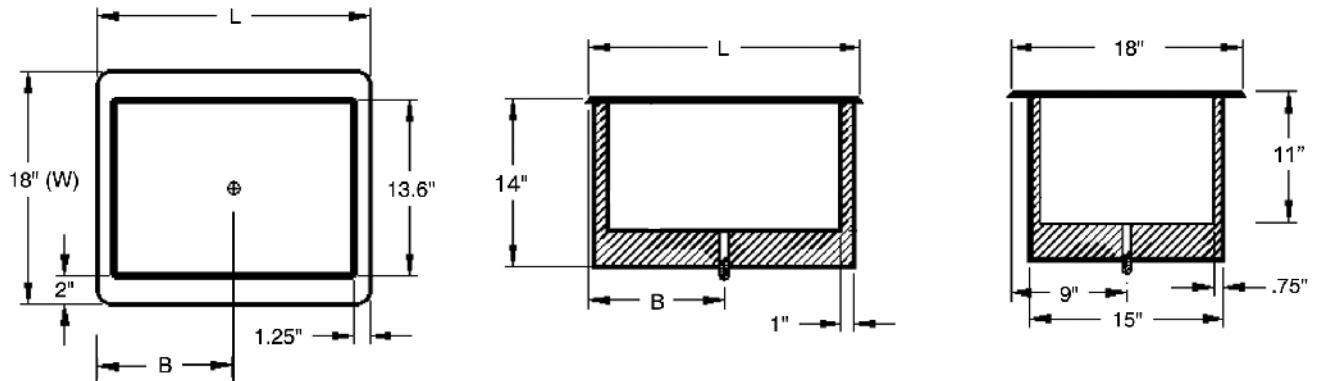
Cover designed to open front-to-rear, with 18" ice bin dimension front-to-rear.
(D-24-WSIBL2 opens left to right when installed with 21" front-to-rear)

DIMENSIONS and SPECIFICATIONS

TOL Overall: $\pm .500''$ Interior: $\pm .250''$

ALL DIMENSIONS ARE TYPICAL

Non-Cold Plate Models



Cold Plate Models

