



a division of TMI, LLC

M-Series Strip Door



BENEFITS

- M-Series Strip doors offer an effective and affordable solution to managing environments within a workspace
- Models are available in 6" and 8" wide PVC strip material to fit a variety of applications
- PVC strips come in both standard-grade and polar-grade PVC, ideal for restaurant and food service applications
- Polar grade material is suited for freezer and cold storage units with temperatures as low as -20 degrees Fahrenheit
- M-Series strip doors are "quick ship" items that are in stock and ready to ship immediately upon purchase
- Easy and quick installation

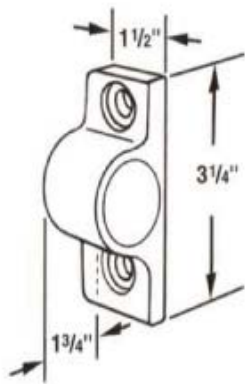
SPECIFICATIONS

- Standard bracket hardware included for overhead mounting (open-end hardware brackets optional)
- Mounting hardware provided (2 mounting brackets, 1 mounting pipe, 2 "O-rings", mounting screws and looped PVC strips)
- Center support bracket needed for doors 60" wide or greater
- Polar grade, reinforced PVC in 6" and 8" widths
- Standard grade PVC in 6" and 8" widths
- Heat-sealed loops

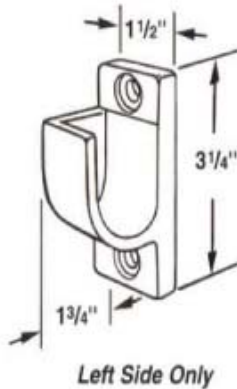
Curtron Products • 5350 Campbell Run Road • Pittsburgh, PA • 15208
www.CurtronProducts.com • Phone: 800-833-5005 • Fax 412-787-3665

Specifications

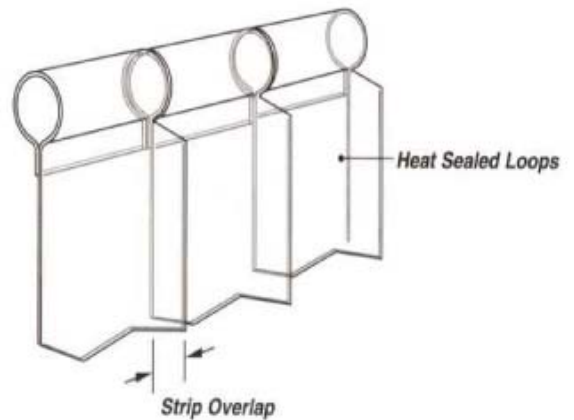
STANDARD BRACKET HARDWARE



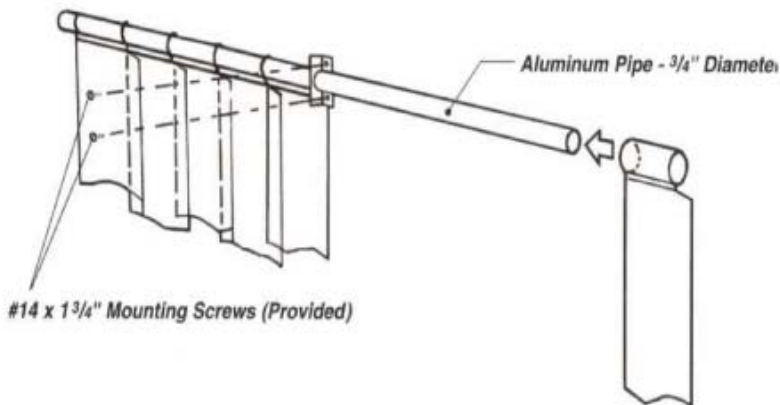
OPTIONAL OPEN-END BRACKET HARDWARE



OVERLAP CONFIGURATION



CENTER SUPPORT BRACKET for Doorways Exceeding 60"



Strip Width

- 6"
- 8"

PVC Grades

- Standard Non-Reinforced
- Polar Reinforced