



## Cooking Performance Group G60-NG(CPG) 60" Gas Countertop Griddle with Manual Controls - 150,000 BTU

#351GMCPG60NL

### FEATURES

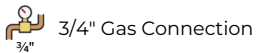
- 5 independently-controlled 30,000 BTU burners
- Standing pilots for instant ignition
- Heavy-duty, 3/4" thick steel griddle plate
- Made of durable, easy-to-clean stainless steel
- Field convertible to liquid propane; includes orifice for connection

### TECHNICAL DATA

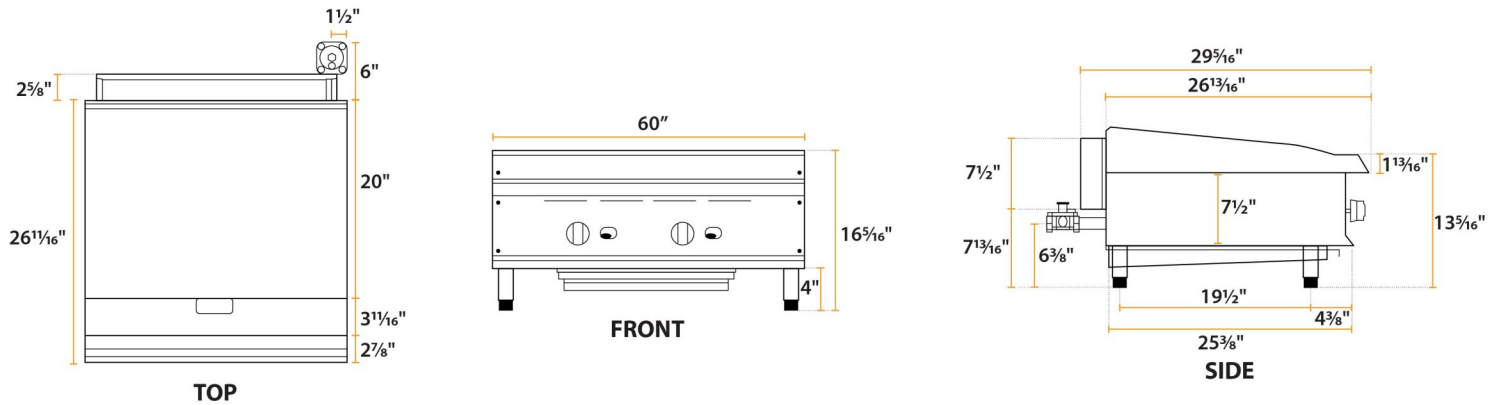
Width	60 Inches
Depth	32 3/4 Inches
Height	16 3/4 Inches
Cooking Surface Width	60 Inches
Cooking Surface Depth	20 Inches
Backsplash	Yes
Burner BTU	30000 BTU
Control Type	Manual
Cooking Surface Material	Polished Steel
Gas Inlet Size	3/4 Inches
Installation Type	Countertop
Number of Burners	5 Burners
Number of Controls	5
Plate Thickness	3/4 Inches
Power Type	Field Convertible Natural Gas
Total BTU	150000 BTU
Type	Griddles



### CERTIFICATIONS



# Plan View



## Notes & Details

The Cooking Performance Group G60-NG(CPG) 60" countertop griddle boasts 5 powerful 30,000 BTU stainless steel burners with standing pilots for instant ignition that make it a fantastic choice for a variety of cooking tasks, from burgers and bacon to hotcakes and eggs. Manual controls offer added appeal to experienced chefs who prefer the "feel" of manual controls, while the 3/4" thick, 60" wide polished steel cooking surface features an impressive 20" depth that is sure to deliver all of the cooking workspace needed.

The Cooking Performance Group G60-NG(CPG) countertop griddle is made of rugged stainless steel that is both durable and extremely easy to clean, includes back and side splashes to protect your walls and countertops, and even offers a full width waste tray to provide you with the complete package of excellent performance and worry-free maintenance! The unit offers a conveniently located, 3/4" rear gas connection and ships ready to connect to a natural gas supply. The unit includes a liquid propane orifice kit for quick and easy field conversion.

**⚠ WARNING:** This product can expose you to chemicals including lead, which are known to the State of California to cause cancer, birth defects, or other reproductive harm. For more information, go to [www.p65warnings.ca.gov](http://www.p65warnings.ca.gov).