



Cooking Performance Group G36T 36" Heavy-Duty Gas Countertop Griddle with Flame Failure Protection and Thermostatic Controls - 90,000 BTU

#351GTCPG36NL

FEATURES

- 3 independently-controlled 30,000 BTU burners
- Features adjustable thermostatic controls
- Standing pilots for instant ignition
- Heavy-duty, adjustable feet provide stability
- Field convertible to liquid propane; includes orifice for connection

TECHNICAL DATA

Width	36 Inches
Depth	26 13/16 Inches
Height	16 5/16 Inches
Cooking Surface Width	36 Inches
Cooking Surface Depth	20 Inches
Backsplash	Yes
Burner BTU	30000 BTU
Burner Style	U-Shaped
Control Type	Thermostatic
Cooking Surface Material	Polished Steel
Gas Inlet Size	3/4 Inches
Installation Type	Countertop
Number of Burners	3 Burners
Number of Controls	3
Plate Thickness	3/4 Inches
Power Type	Field Convertible Natural Gas



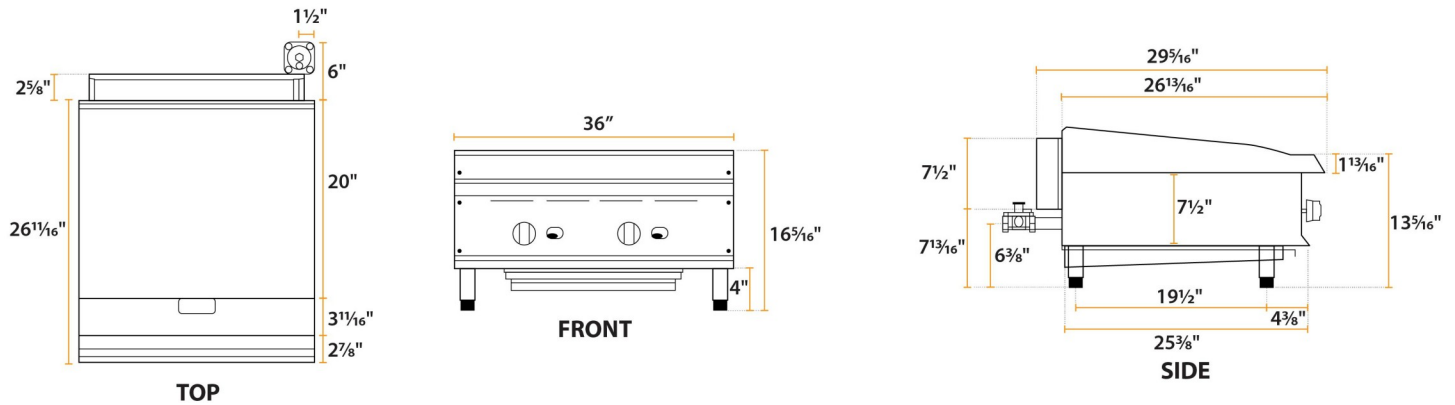
CERTIFICATIONS



TECHNICAL DATA

Temperature Range	200 - 575 Degrees F
Temperature Settings	Adjustable
Total BTU	90000 BTU
Type	Griddles
Usage	Standard Duty

Plan View



Notes & Details

This Cooking Performance Group G36T 36" countertop griddle features energy saving thermostats that are adjustable from 200 to 575 degrees Fahrenheit for precise temperature control, making it an excellent choice for delicate breakfast foods like eggs and hotcakes, as well as your lunch menu of chicken, hamburgers, and other meats! It boasts three powerful 30,000 BTU stainless steel U-shaped burners with standing pilots for instant ignition that work in perfect harmony with the thermostats to maintain your selected griddle temperature during peak cooking periods. Its flame failure protection system guarantees safety and peace of mind. The 3/4" thick, 36" wide polished steel cooking surface features an impressive 20" depth that is sure to deliver all of the workspace needed.

The Cooking Performance Group G36T countertop griddle is made of stainless steel that is both durable and extremely easy to clean, includes back and side splashes to protect your walls and countertops, and even has a full width waste tray to provide you with a complete package of excellent performance and worry-free maintenance! It has a 3/4" rear gas connection and ships ready to connect to a natural gas supply, but includes a liquid propane orifice kit for simple field conversion.

⚠ WARNING: This product can expose you to chemicals including lead, which are known to the State of California to cause cancer, birth defects, or other reproductive harm. For more information, go to www.p65warnings.ca.gov.