

16 GAUGE STAINLESS STEEL THREE COMPARTMENT SINK WITH ONE DRAINBOARD (RIGHT)

ITEM #: _____ QUANTITY: _____

PROJECT: _____

APPROVAL: _____

DATE: _____



FEATURES

- Made of high-quality 16 gauge, type 304 stainless steel
- Galvanized 1 $\frac{5}{8}$ " steel legs with sockets
- Adjustable bullet feet for added stability
- Faucet holes pre-punched on 8" centers (faucet sold separately)
- 1 $\frac{1}{2}$ " IPS drain connection
- Rolled front and side edges to contain splashes and overflows



SPECIFICATIONS

ITEM	LENGTH	DEPTH	HEIGHT (Total)	HEIGHT (Work)	BOWL DEPTH	BOWL L to R	BOWL F to B	NUMBER OF DRAINBOARDS	SIDE	NET WEIGHT
600S3151515GRT	66 $\frac{1}{2}$ "	20 $\frac{1}{2}$ "	44 $\frac{3}{4}$ "	36 $\frac{1}{2}$ "	12"	15"	15"	1	Right	79.48 LB.

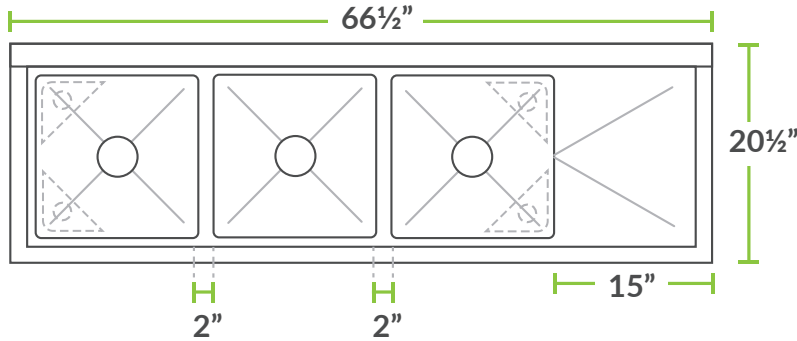


2/2020

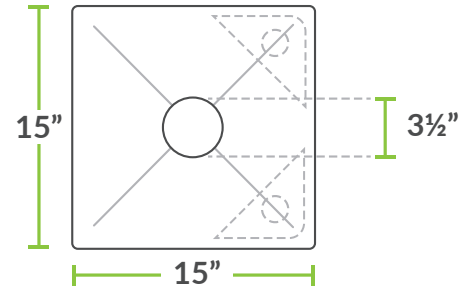
**16 GAUGE STAINLESS STEEL
THREE COMPARTMENT SINK
WITH ONE DRAINBOARD (RIGHT)**



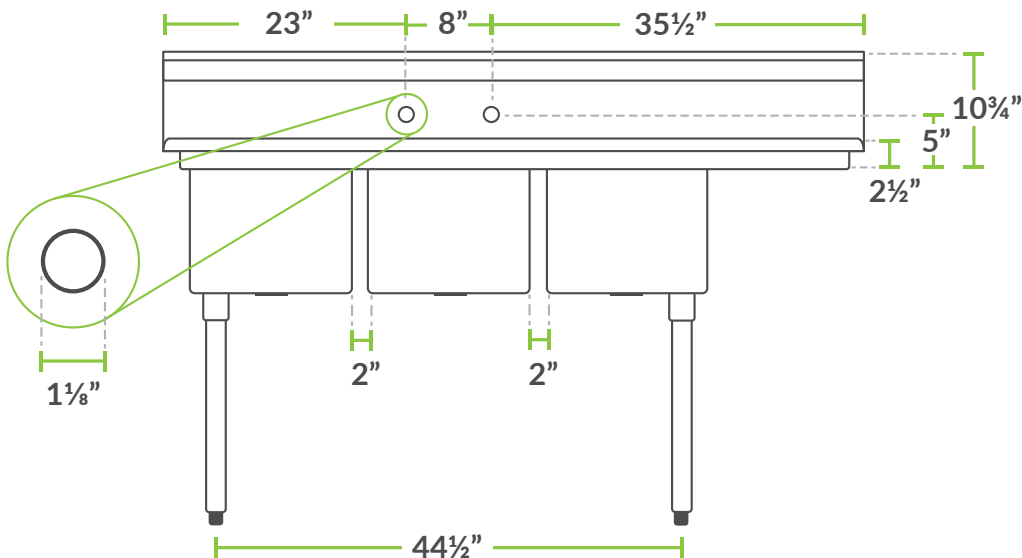
TOP



BOWL



FRONT



SIDE

