

16 GAUGE STAINLESS STEEL THREE COMPARTMENT SINK WITH NO DRAINBOARD

ITEM #: _____ QUANTITY: _____

PROJECT: _____

APPROVAL: _____

DATE: _____



FEATURES

- Made of high-quality 16 gauge, type 304 stainless steel
- Galvanized 1⁵/₈" steel legs with sockets
- Adjustable bullet feet for added stability
- Faucet holes pre-punched on 8" centers (faucet sold separately)
- 1¹/₂" IPS drain connection
- Rolled front and side edges to contain splashes and overflows



SPECIFICATIONS

ITEM	LENGTH	DEPTH	HEIGHT (Total)	HEIGHT (Work)	BOWL DEPTH	BOWL L to R	BOWL F to B	NUMBER OF DRAINBOARDS	NET WEIGHT
600S31014G	39"	19½"	43¾"	36½"	12"	10"	14"	0	57.54 LB.

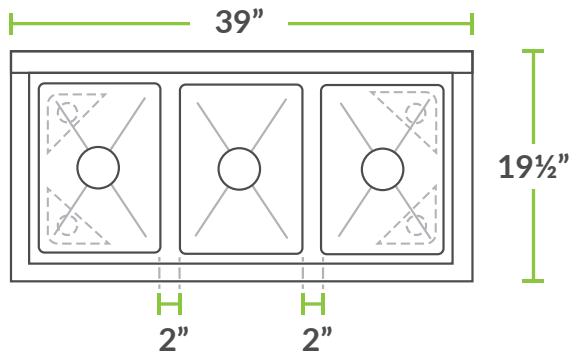


2/2020

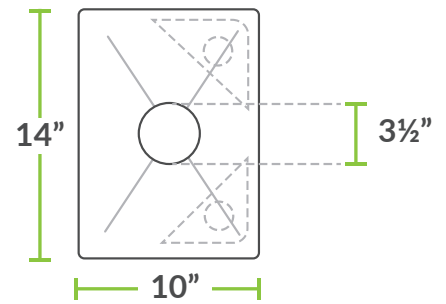
**16 GAUGE STAINLESS STEEL
THREE COMPARTMENT SINK
WITH NO DRAINBOARD**



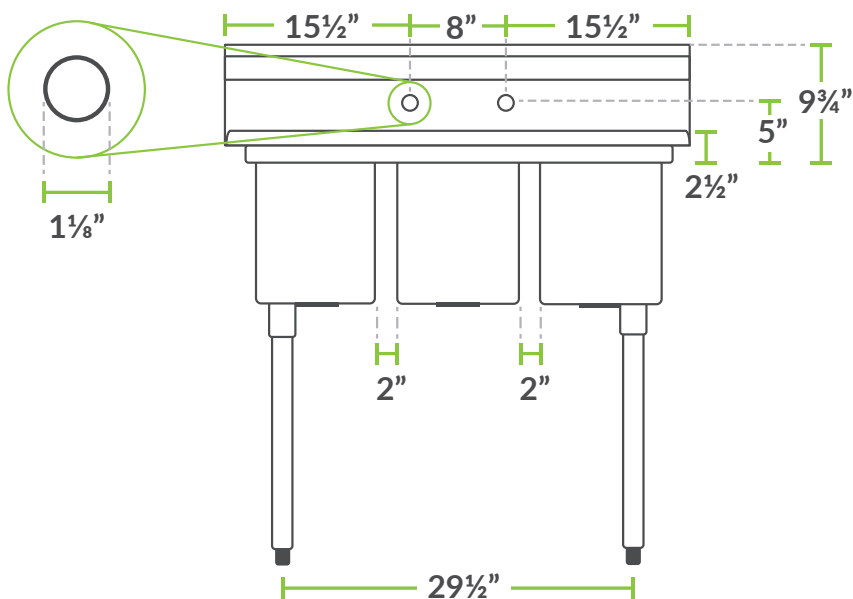
TOP



BOWL



FRONT



SIDE

