



STAINLESS STEEL Ice Bin & Drainboard Combo Units 21" Wide



CRW-4L Shown



CRW-4L-7 Shown

Item #: _____	Qty #: _____
Model #: _____	
Project #: _____	



Optional Sliding
Stainless Steel Cover
Shown

**Bottle Racks Must Be Removed For NSF Compliance
And For Use With Optional Cover.**

FEATURES:

- 4" backsplash.
- 10" deep insulated ice bin.
- Two removable injection molded 3-pack plastic bottle racks.
- 24" seamless & embossed drainboard.
- Galvanized legs with adjustable plastic bullet feet.
- Adjustable galvanized side cross-bracing.
- Includes rear deck for extra storage.

MECHANICAL:

- 1" IPS drain (drainboard and non-cold plate ice bin)
- 1/2" IPS drain (cold-plate bin)

MATERIAL:

- Ice Bin, Front Apron, Backsplash:** 22 gauge, 300 stainless steel
- Sides:** 20 gauge, 430 stainless steel
- Understructure:** 22 gauge galvaneal front/back; 11 gauge electrogalvaneal leg channel
- Legs:** 1 5/8" O.D. 18 gauge, galvanized steel with adjustable plastic bullet feet
- Ice Bin Insulation:** 2 lbs. density styrofoam (non-cold plate models); 2 lbs. density foam-in-place (cold-plate models)
- Cold Plate:** Cast aluminum with 7 circuits (5 syrup and 2 water lines) with 5/16" diameter stainless steel bump and swedge ends

OPTIONAL:

- SU-10A** - 18" stainless steel leg upgrade
- SU-13** - 10-circuit cold plate upgrade (For -7 models only)
- SU-30** - Soda chase provision
- SU-40** - Prep unit for installation of speed rail
- SU-61** - Special sizing
- SU-68** - Omit corrugation on drainboard
- SSC-24** - Sliding cover for 24" ice bin

21" WIDE Model #	Overall Length	Ice Bin Capacity	Ice Bin Location	Approx. Weight	Approx. Cu. Ft.
CRW-4L	48"	54 lbs.	Left	72 lbs.	13
CRW-4R	48"	54 lbs.	Right	72 lbs.	13

With 7-Circuit Cold Plate

CRW-4L-7	48"	54 lbs.	Left	108 lbs.	13
CRW-4R-7	48"	54 lbs.	Right	108 lbs.	13



Customer Service Available To Assist You 1-800-645-3166 8:30 am - 8:00 pm E.S.T.

For Orders & Customer Service:
Email: customer@advancetabco.com or Fax: 631-242-6900

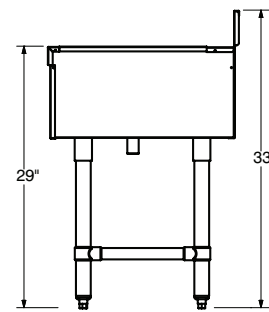
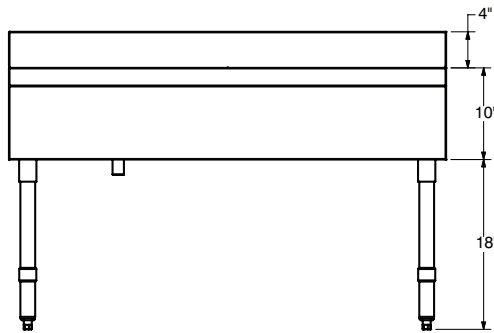
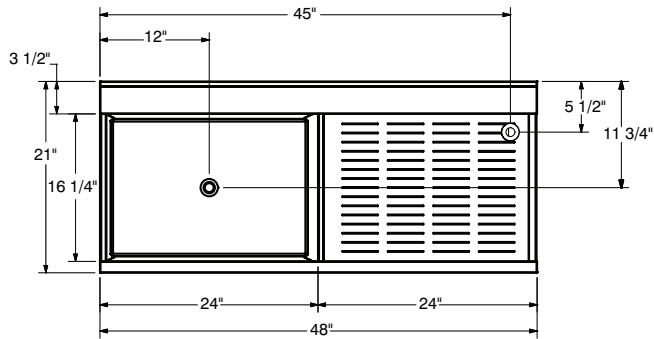
For Smart Fabrication™ Quotes:
Email: smartfab@advancetabco.com or Fax: 631-586-2933

DIMENSIONS and SPECIFICATIONS

TOL Overall: $\pm .500"$ Interior: $\pm .250"$

ALL DIMENSIONS ARE TYPICAL

CRW-4L SHOWN



CRW-4L-7 SHOWN

