

# CATER GATOR

## 100 Qt • Rotomolded EXTREME OUTDOOR COOLER

Available in 2 colors  
with or without wheels

215CG100WH	White	
215CG100TAN	Tan	
215CG100WHW	White	With Wheels
215CG100TANW	Tan	With Wheels

## FEATURES & BENEFITS

### 100 QT. CAPACITY

- Keeps food cool for up to 10 days

### DURABLE CONSTRUCTION

- Triple insulated polyethylene

### MULTI-PURPOSE LID

- 30" engraved ruler
- 2 cup holders

### EASY TRANSPORT

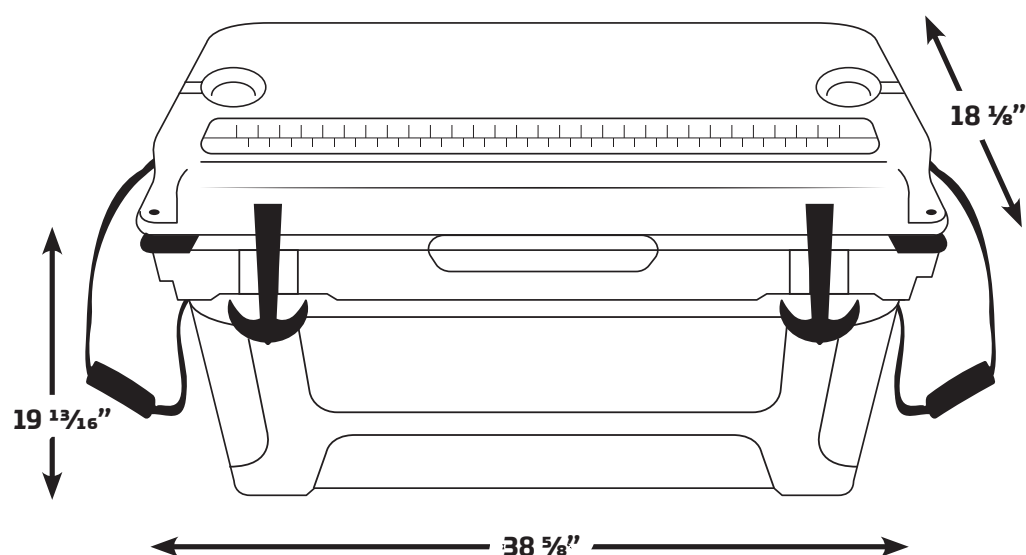
- Indentations and rubber comfort grip handles
- 5" wheels (select models)

### SECURITY

- 2 bottle openers also function as metal reinforced padlock slots



WITHOUT WHEELS



WITH WHEELS

