

# ACCESSORIES

## BASE & ANCHORS



Great shade is rooted in solid base and anchor solutions for any environment. Offered to you with a range of weight and designs to accommodate the unique requirements of your space and layout, the following Bases and Anchors give you firm foundation to build the look you want. Choose from matching frame finishes, or options that allow you to incorporate unique weight you can add on your own. Pick the weight or solution that is right for you.

### Ground Anchor

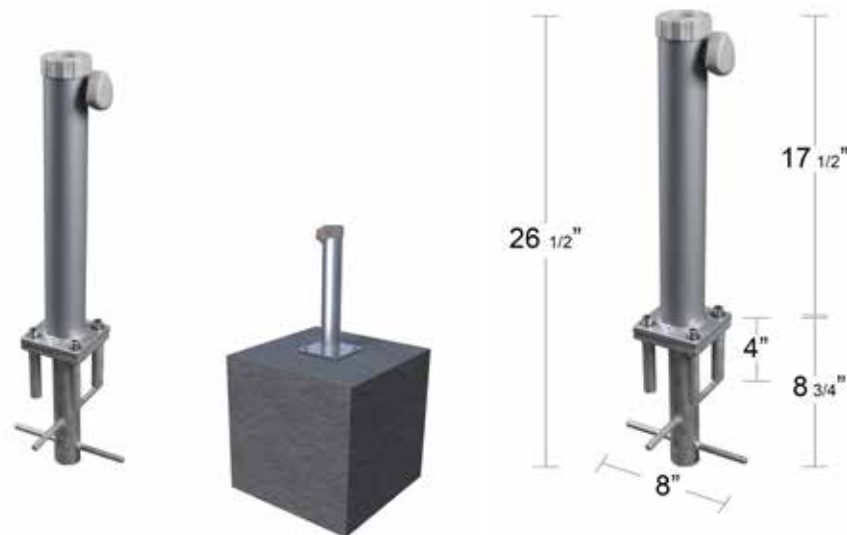
## TB 50

Pole Adapter 1.5"  
Pole Diameter 2.25"  
Colors Galvanized

Available Colors



GALVANIZED



### Commercial Grade

## CRLY905

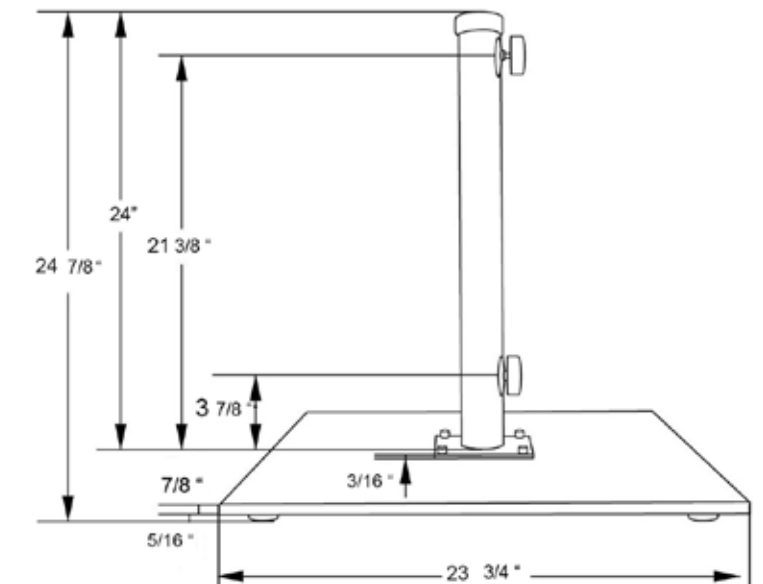
Weight 110 LBS  
Material Galvanized Steel  
Base Tube Inside Diameter 2", 1.5" Pole Adapter  
Colors Silver Anodized



Available Colors



SILVER ANODIZED



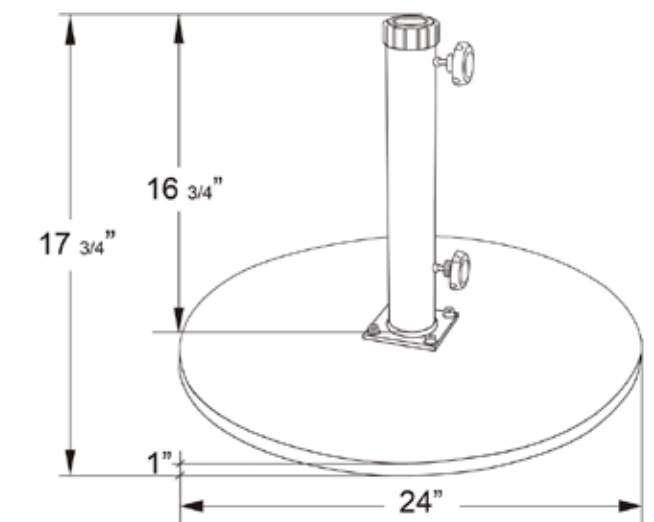
## CRLY903

Weight 95 LBS  
Material Cast Iron  
Base Tube Inside Diameter 2", 1.5" Pole Adapter  
Colors Black

Available Colors

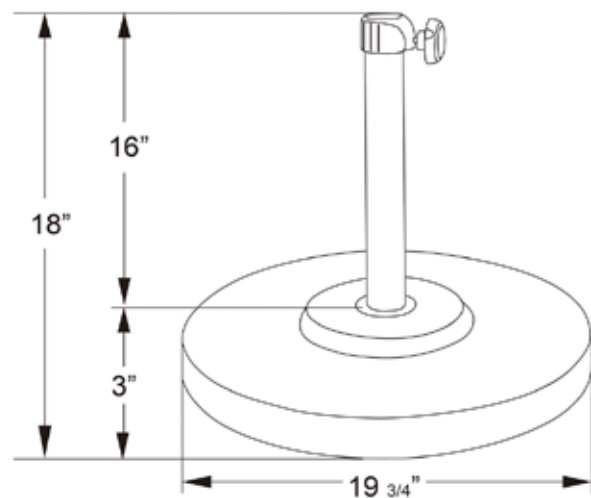


201  
Black



# CFMT 160

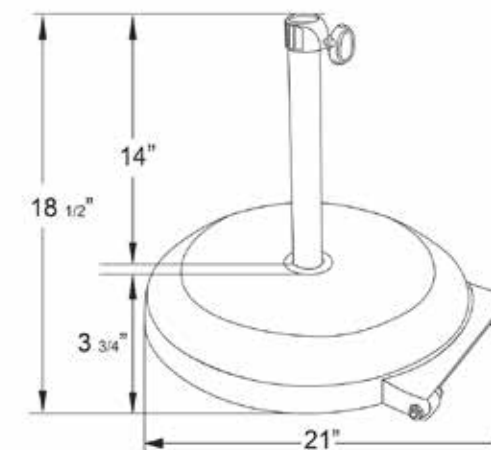
Weight 50 LBS  
 Material Steel Cover With Concrete  
 Base Tube Inside Diameter 1.75"  
 Colors Black, Bronze, White, Champagne  
 Available Colors



# CFMT 172

Wheels for easy movement

Weight 75 LBS  
 Material Steel Cover With Concrete  
 Base Tube Inside Diameter 1.75"  
 Colors Black, Bronze  
 Available Colors

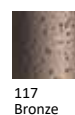


# RL 80

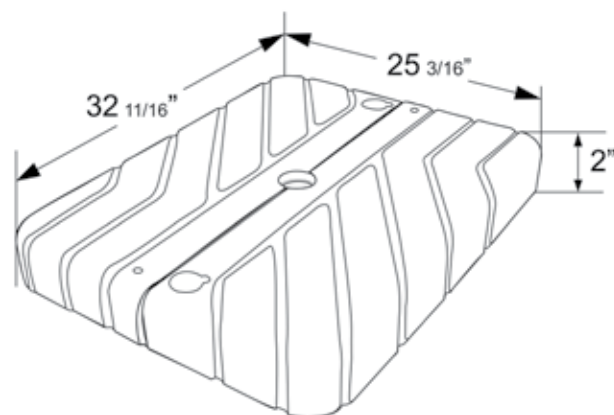
Base 2-Section fillable Base

Material 2-Section Fillable Base  
 Colors Bronze  
 \*For use with BA908 only

Available Colors



117 Bronze



# CFMT 110

Removable wheels

Weight 110 LBS  
 Material Concrete With Resin Cover  
 Base Tube Inside Diameter 2", 1.5" Pole Adapter  
 Colors Black, Bronze  
 Available Colors

