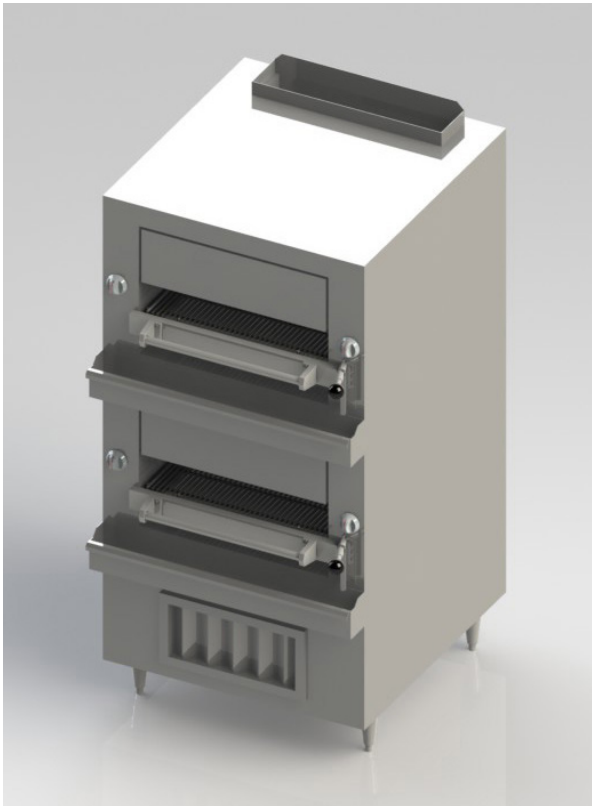




CAFE SERIES BANQUET BROILERS

Heavy Duty Double Stack Infrared and Radiant Broilers



Project _____

Item No. _____

Quantity _____

- BBB-236 - double deck infrared broiler
- BBB-236-R - double deck radiant broiler
- BBB-236-IR - double deck infrared (top)/radiant (bottom) broiler

STANDARD FEATURES

All Models

- Supplied with ceramic tile burners
- Eight 26,000 BTU/hr. infrared burners - four burners per deck
- High volume blower providing filtered primary air
- Easy clean washable removable filter
- Two - one per deck - large 2-piece lift out broiler grid (measuring 24-1/4" x 13-1/4" each)
- Grid carriage glides on roller bearing
- Large capacity drip tray - one per tray
- Stainless steel front, sides and top
- 14 gauge stainless steel all welded body construction
- 3/4" rear gas connection with regulator
- Stainless steel gas tubing throughout
- Stainless steel adjustable 6" legs
- Warranty: two year parts and one year labor warranty



CAFE SERIES BANQUET BROILERS

OPTIONS AND ACCESSORIES

(AT ADDITIONAL CHARGE)

- Interconnect gas line with quick disconnect
 - 36" long
 - 48" long
- 6" casters, front two locking (5" diameter wheel)

BLODGETT OVEN COMPANY

www.blodgett.com • 44 Lakeside Avenue, Burlington, VT 05401 • Phone: (802) 658-6600 • Fax: (802) 864-0183

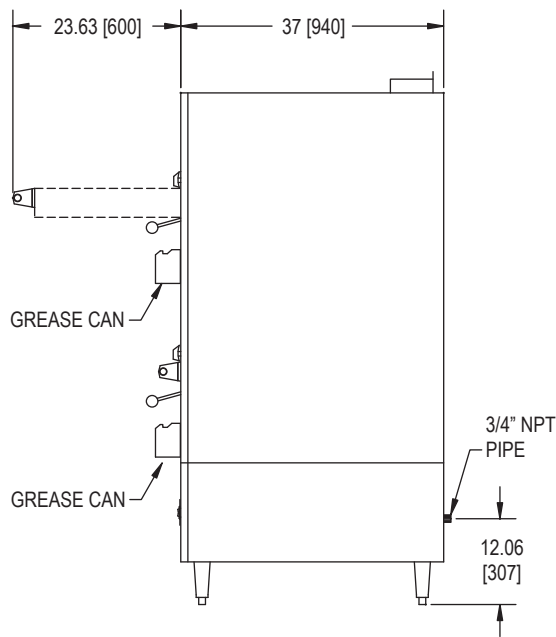
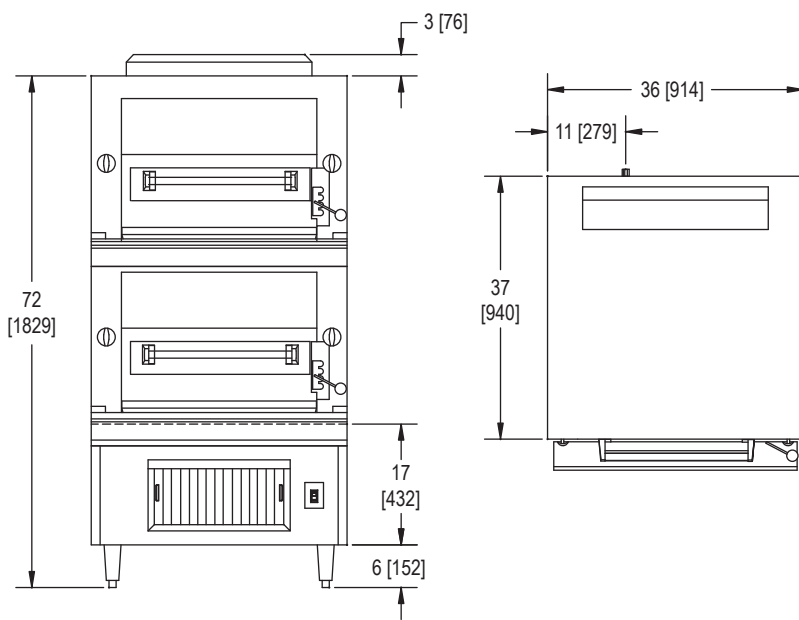


CAFE SERIES BANQUET BROILERS



APPROVAL/STAMP

DIMENSIONS ARE IN INCHES [MM]



SHORT FORM SPECIFICATIONS: Provide Blodgett Heavy Heavy duty "Banquet" broiler. To be model BBB-_____. Provide eight 26,000 BTU/hr. infrared burners. To have two large (2 piece) lift-out broiler grids measuring 24-1/4" x 13-1/4" each - one set per deck. Furnish carriage complete with rolling bearings and multi-action handle. To have 14 gauge all welded body with stainless steel front and sides. All gas tubing to be stainless steel throughout. To have 6" stainless steel adjustable legs. Two year parts/1 year labor warranty. Provide options and accessories as indicated.

MODEL	BTUs	WIDTH	DEPTH	HEIGHT	SHIPPING WEIGHT*
BBB-236	208,000	36"	38.25"	see drawing	1000/454
BBB-236-R	180,000	36"	38.25"	see drawing	1050/476
BBB-236-IR	194,000	36"	38.25"	see drawing	1025/465

ELECTRIC SPECIFICATIONS

Broiler Blower Only

- 6 foot cord with 3 prong plug
- 2.0 amp required

NOTE: The company reserves the right to make substitutions of components without prior notice

* Shipping weights are in lbs [kg]

GAS SUPPLY & CONNECTION

- 1-1/4" front manifold connection and a 1" or 3/4" capped rear manifold connection. For rear manifold connection, remove cap.
- 3/4" gas pressure regulator supplied (optional 1" and 1-1/4" regulators available)
- Required operating pressure
 - Natural Gas - 5" W.C. minimum
 - Propane Gas - 10" W.C. minimum
14" W.C. maximum
- Must be connected w/gas regulator supplied

Note: Specify type of gas when ordering.

BLODGETT OVEN COMPANY

www.blodgett.com • 44 Lakeside Avenue, Burlington, VT 05401 • Phone: (802) 658-6600 • Fax: (802) 864-0183