



STAINLESS STEEL EVERYDAY BUFFET SEALED WELLS HOT FOOD TABLES WITH ENCLOSED BASE



BSW3-120-B-SB Shown



Item #: _____ Qty #: _____

Model #: _____

Project #: _____

FEATURES:

- Sealed wells with manifold drains
- Removable access panel
- 4" Swivel Casters, with two brakes
- Double sided sneeze guard & side panels
- Fiberglass insulation

MATERIAL:

- TOP:** 20 gauge #304 stainless steel with die stamped pan openings. (12" x 20")
- BODY:** 20 gauge steel available in matte black vinyl clad
- SNEEZE GUARD:** 1/4" Thermoplastic Polymer
- INSULATION:** Fiberglass insulation
- HEAT COMPARTMENT:** Sealed well pan with "M" shaped tubular element compartment
- LINERS:** 20 Gauge stainless steel deep drawn bowls with drain.

ELECTRICAL:

- Single phase wiring
- 120V units yield 640 Watts
- 208V/240V dual voltage units yield 825 Watts at 208V and 1100 Watts at 240V
- 6' electrical cord with plug
- Infinite control knobs
- Indicator lights
- Upgrade 240 volt units to 3 Phase wiring - **Model SU-72**

STAINLESS STEEL LINERS	Length	# of Wells	Weight (lbs.)	Cubic Feet	Volts	NEMA Plug	Power Consumption
BSW2-120-B-SB	31-13/16"	2	300	30	120	5-20P	15/640
BSW3-120-B-SB	47-1/8"	3	325	43	120	5-20P	15/640
BSW4-120-B-SB	62-7/16"	4	356	55	120	L5-30P	20/640
BSW2-240-B-SB	31-13/16"	2	300	30	208/240	6-20P	15/850 • 20/1100
BSW3-240-B-SB	47-1/8"	3	325	43	208/240	6-20P	15/850 • 20/1100
BSW4-240-B-SB	62-7/16"	4	356	55	208/240	L6-30P	20/850 • 30/1100
BSW5-240-B-SB	77-3/4"	5	370	68	208/240	L6-30P	20/850 • 30/1100

NOTE: Units are not designed to cook or heat frozen or refrigerated foods. Food placed in tables should already be hot, and the table will maintain the proper temperatures

NEMA PLUGS: Your plug will look like this...



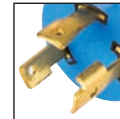
NEMA 5-20P



NEMA 6-20P



NEMA L5-30P



NEMA L6-30P

Optional Accessories



Stationary Shelf



Drop-Down Shelf



Stationary Shelf



Drop-Down Shelf

10" Wide Stainless Steel Tray Shelves

STATIONARY		DROP-DOWN			Cu. ft.
Model	Approx Wt.	Model	Approx Wt.	Length	
TTS-2	9 lbs.	TTS-2D	11 lbs.	31-13/16"	1
TTS-3	12 lbs.	TTS-3D	14 lbs.	47-3/4"	1
TTS-4	15 lbs.	TTS-4D	17 lbs.	62-3/4"	2
TTS-5	18 lbs.	TTS-5D	20 lbs.	77-3/4"	2
TTS-6	21 lbs.	TTS-5D	23 lbs.	93-1/8"	2

Visit our website for more Everyday Buffet Accessories!

10" Wide Stainless Steel Tray Rails

STATIONARY		DROP-DOWN			Cu. ft.
Model	Approx Wt.	Model	Approx Wt.	Length	
TTR-2	8 lbs.	TTR-2D	9 lbs.	31-13/16"	1
TTR-3	10 lbs.	TTR-3D	11 lbs.	47-3/4"	1
TTR-4	13 lbs.	TTR-4D	14 lbs.	62-3/4"	2
TTR-5	17 lbs.	TTR-5D	18 lbs.	77-3/4"	2
TTR-6	22 lbs.	TTR-5D	23 lbs.	77-3/4"	2



Customer Service Available To Assist You 1-800-645-3166 8:30 am - 8:00 pm E.S.T.

For Orders & Customer Service:

Email: customer@advancetabco.com or Fax: 631-242-6900

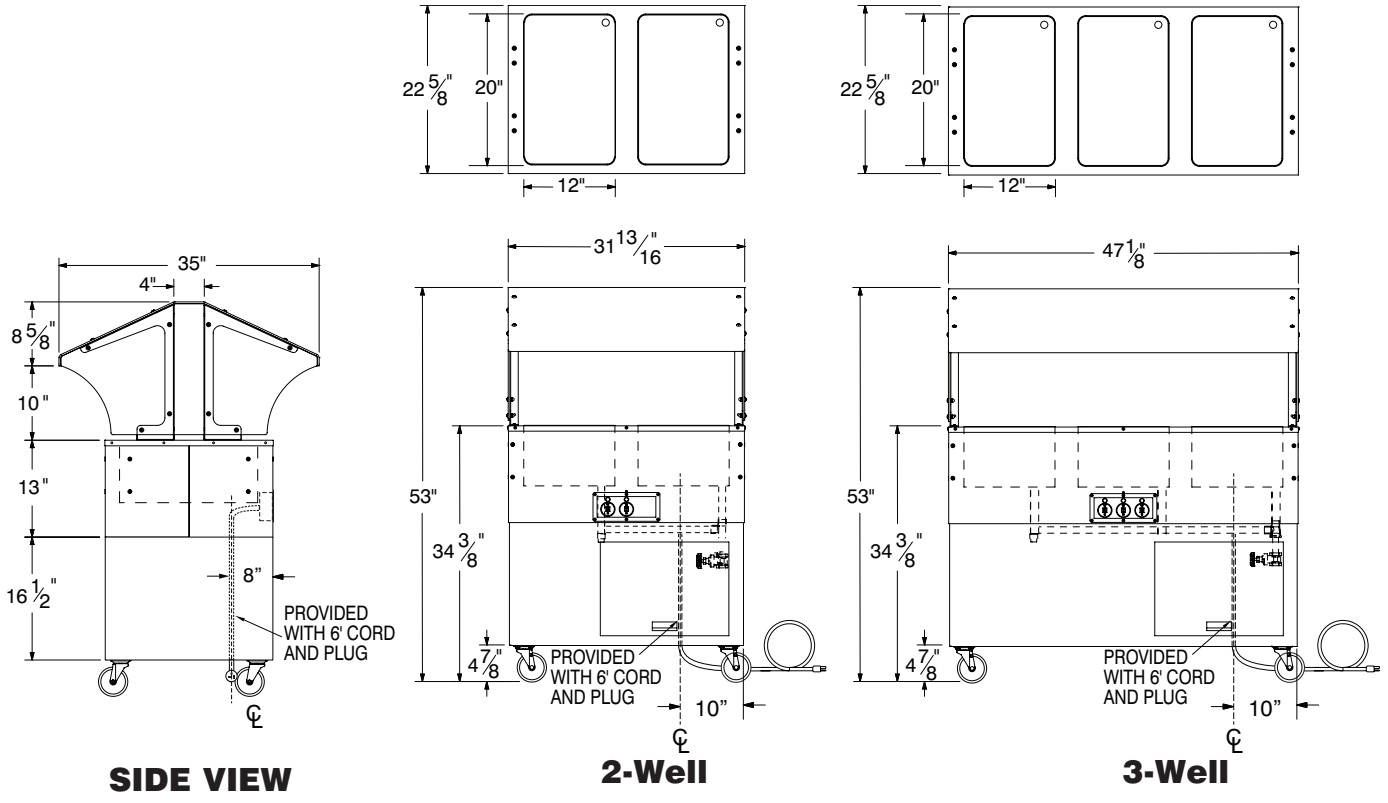
For Smart Fabrication™ Quotes:

Email: smartfab@advancetabco.com or Fax: 631-586-2933

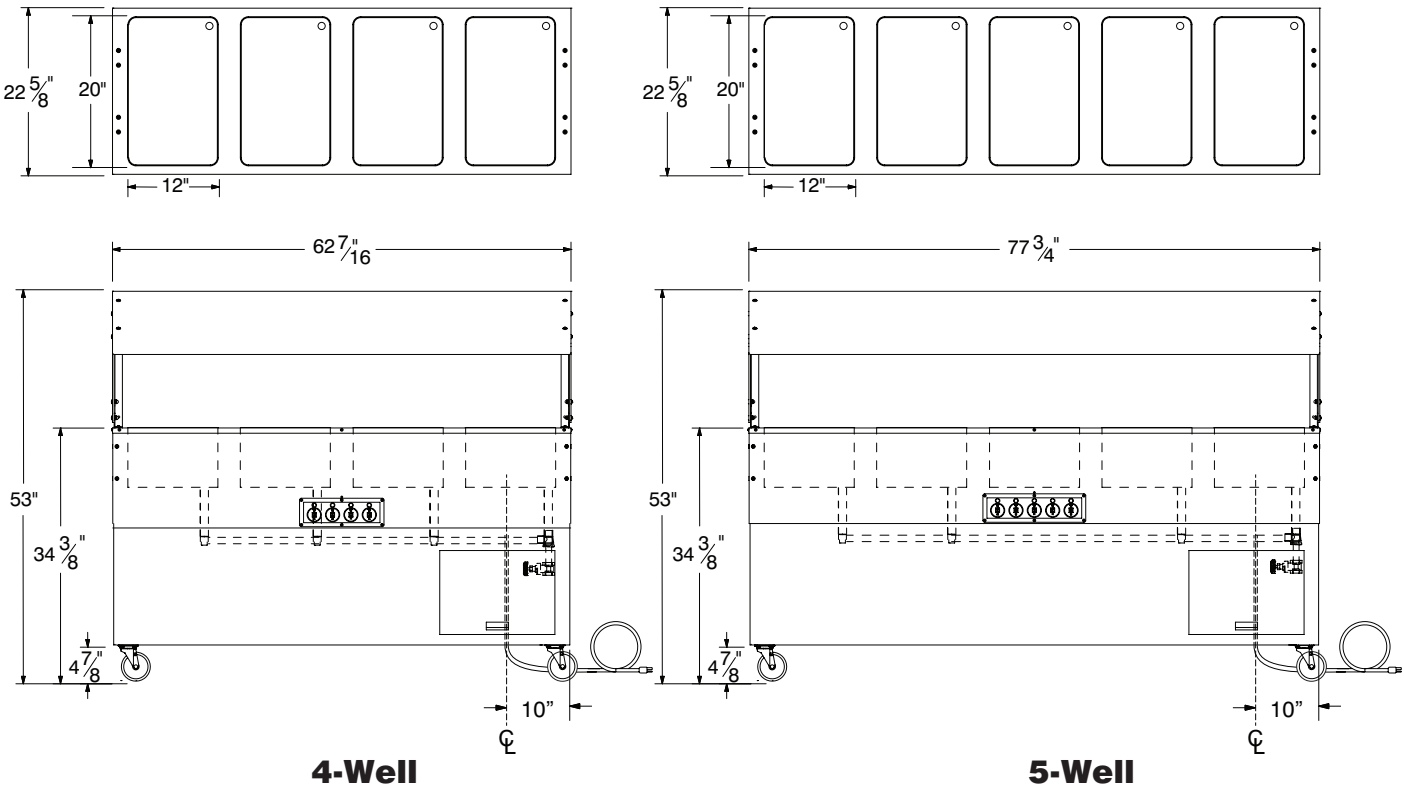
DIMENSIONS and SPECIFICATIONS

TOL ± .125"

ALL DIMENSIONS ARE TYPICAL



Drain Valve Has 3/4" FPT Connection



ADVANCE TABCO is constantly engaged in a program of improving our products. Therefore, we reserve the right to change specifications without prior notice.