



# STAINLESS STEEL EVERYDAY BUFFET HOT FOOD TABLES WITH ENCLOSED BASE



**B3-120-B-SB Shown**

**FEATURES:**

4" Swivel Casters, with two brakes  
Double sided sneeze guard & side panels  
Fiberglass insulation

For Use with Optional Spillage Pans



**MATERIAL:**

**TOP:** 20 gauge #304 stainless steel with die stamped pan openings. (12" x 20")

**BODY:** 20 gauge steel available in matte black vinyl clad

**SNEEZE GUARD:** 1/4" Thermoplastic Polymer

**INSULATION:** Fiberglass insulation

**HEAT COMPARTMENT:** 20 gauge aluminum with exposed dome shape element (S/S wells optional)

**LINERS:** 8" deep, 22 Gauge galvanized or #302 stainless steel. Requires spillage pans, Add

**Model # SP-A** (Aluminum) or **Model # SP-S** (S/S)

**ELECTRICAL:**

Single phase wiring

120V units yield 500 Watts

208V/240V dual voltage units yield 750 Watts at 208V and

1000 Watts at 240V

6' electrical cord with plug

Infinite control knobs

Indicator lights

Upgrade 240 volt units to

3 Phase wiring - **Model SU-72**

Item #: \_\_\_\_\_ Qty #: \_\_\_\_\_  
Model #: \_\_\_\_\_  
Project #: \_\_\_\_\_

GALVANIZED LINERS	STAINLESS STEEL LINERS	Length	# of Wells	Weight (lbs.)	Cubic Feet	Volts	NEMA Plug	Power Consumption
B2-120-B-SB	B2-120-B-S-SB	31-13/16"	2	135	39	120	5-20P	15/500
B3-120-B-SB	B3-120-B-S-SB	47-1/8"	3	170	56	120	5-20P	15/500
B4-120-B-SB	B4-120-B-S-SB	62-7/16"	4	310	73	120	L5-30P	20/500
B2-240-B-SB	B2-240-B-S-SB	31-13/16"	2	135	39	208/240	6-20P	15/750 • 20/1000
B3-240-B-SB	B3-240-B-S-SB	47-1/8"	3	170	56	208/240	6-20P	15/750 • 20/1000
B4-240-B-SB	B4-240-B-S-SB	62-7/16"	4	310	73	208/240	L6-30P	20/750 • 30/1000
B5-240-B-SB	B5-240-B-S-SB	77-3/4"	5	390	90	208/240	L6-30P	20/750 • 30/1000

**NOTE:** Units are not designed to cook or heat frozen or refrigerated foods. Food placed in tables should already be hot, and the table will maintain the proper temperatures



NEMA PLUG 5-20P



NEMA PLUG 6-20P



NEMA PLUG L5-30P



NEMA PLUG L6-30P

**Optional Accessories**



Stationary Shelf



Drop-Down Shelf



Stationary Shelf



Drop-Down Shelf

**10" Wide Stainless Steel Tray Shelves**

STATIONARY      DROP-DOWN

Model	Model	Length	Approx Wt.	Cu. ft.
TTS-2	TTS-2D	31.8125"	14 lbs.	3
TTS-3	TTS-3D	47.125"	16 lbs.	4
TTS-4	TTS-4D	62.4375"	18lbs.	5
TTS-5	TTS-5D	77.75"	21 lbs.	6

**Visit our website for more Everyday Buffet Accessories!**

**10" Wide Stainless Steel Tray Rails**

STATIONARY      DROP-DOWN

Model	Model	Length	Approx Wt.	Cu. ft.
TTR-2	TTR-2D	31.8125"	14 lbs.	3
TTR-3	TTR-3D	47.125"	16 lbs.	4
TTR-4	TTR-4D	62.4375"	18lbs.	5
TTR-5	TTR-5D	77.75"	21 lbs.	6



**Customer Service Available To Assist You 1-800-645-3166 8:30 am - 8:00 pm E.S.T.**

For Orders & Customer Service:

Email: [customer@advancetabco.com](mailto:customer@advancetabco.com) or Fax: 631-242-6900

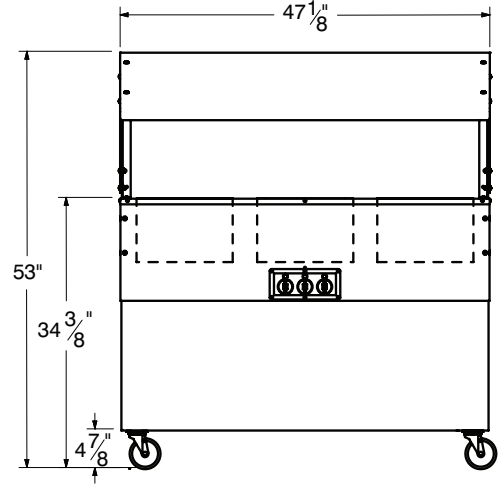
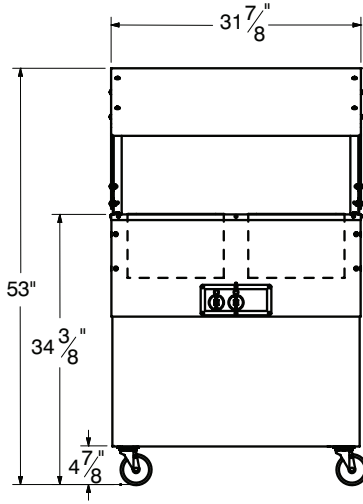
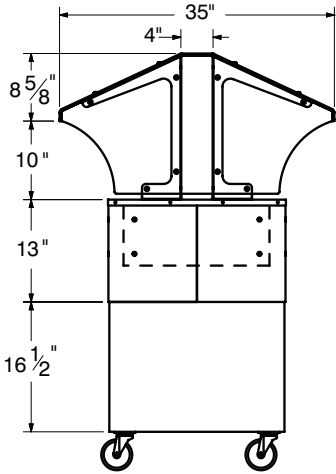
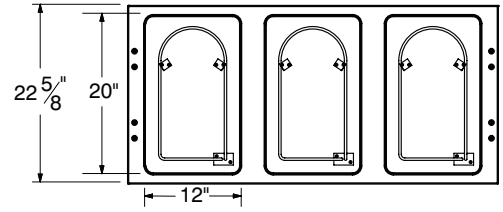
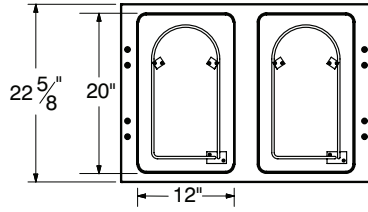
For Smart Fabrication™ Quotes:

Email: [smartfab@advancetabco.com](mailto:smartfab@advancetabco.com) or Fax: 631-586-2933

# DIMENSIONS and SPECIFICATIONS

TOL ± .125"

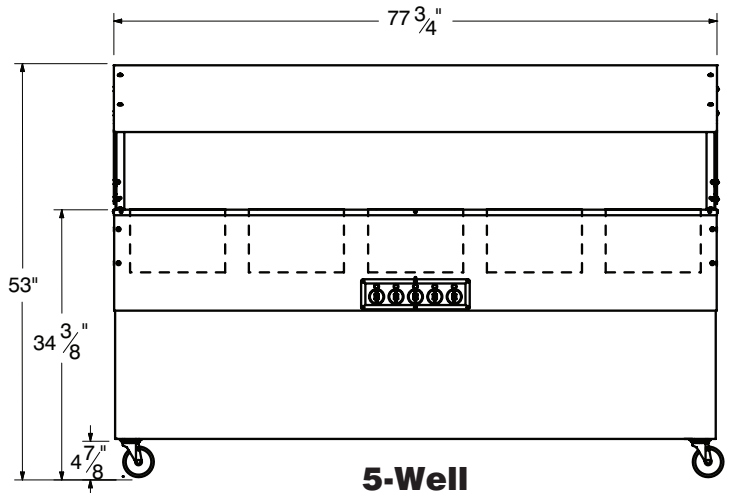
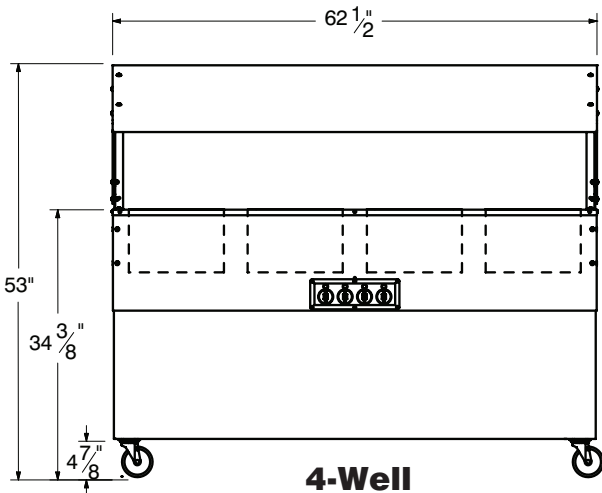
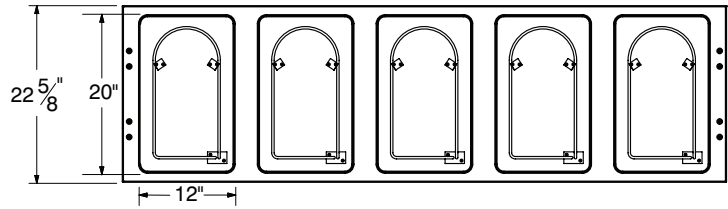
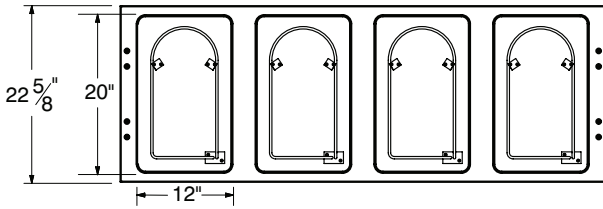
ALL DIMENSIONS ARE TYPICAL



**SIDE VIEW**

**2-Well**

**3-Well**



**4-Well**

**5-Well**



ADVANCE TABCO is constantly engaged in a program of improving our products. Therefore, we reserve the right to change specifications without prior notice.