



PRESTIGE *Signature Series* Underbar Hand Sink 20" and 25" Wide Units - Deep Drawn Bowls

Item #: _____ Qty #: _____

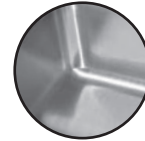
Model #: _____

Project #: _____



PRHS-19 Series
20" Wide Units With
Splash Mount Faucets

Featuring **Deep Drawn**
Seamless Bowl



FEATURES:

One piece **Deep Drawn** sink bowl measuring 10" x 14" x 10".
29" Working Height
7" backsplash.

Stainless steel top, apron, sides, legs & adjustable bullet feet.
Adjustable stainless steel side cross-bracing

PRHS-24 Series has rear deck for extra storage

MECHANICAL:

PRHS-19 Series: Includes K-125 splash mount swing spout faucet

PRHS-24 Series: Includes K-51 deck mount swing spout faucet

All faucets meet federal lead free standards.

1 1/2" IPS drain with 3 1/2" basket

MATERIAL:

20 gauge, 300 stainless steel

Legs: 1 5/8" O.D. 18 gauge, 300 stainless steel legs with 1" adjustable stainless steel bullet feet



PRHS-24 Series
25" Wide Units With
Deck Mount Faucets

Conforms To NSF 61/9 Lead Free Requirements

20" WIDE				25" WIDE				O.A. Length (A)	Drain Location (B)
Model #	Bowl Size	Approx. Weight	Approx. Cu. Ft.	Model #	Bowl Size	Approx. Weight	Approx. Cu. Ft.		
PRHS-19-12	10" x 14" x 10"	35 lbs.	8	PRHS-24-12	10" x 14" x 10"	28 lbs.	8	12"	6 3/8"
PRHS-19-18	10" x 14" x 10"	40 lbs.	9	PRHS-24-18	10" x 14" x 10"	30 lbs.	9	18"	11 3/8"

WARNING: Equipment that include faucets on this page may contain a chemical known to the State of California to cause cancer, birth defects or other reproductive harm.



Customer Service Available To Assist You 1-800-645-3166 8:30 am - 8:00 pm E.S.T.

For Orders & Customer Service:

Email: customer@advancetabco.com or Fax: 631-242-6900

For Smart Fabrication™ Quotes:

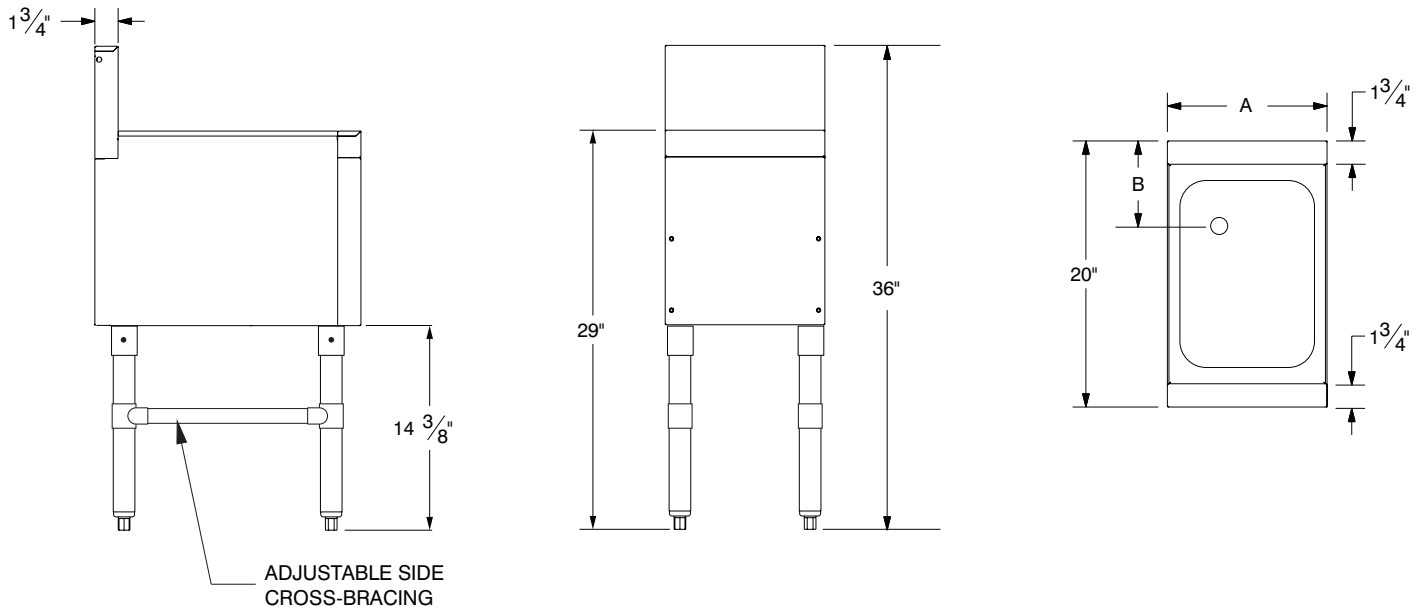
Email: smartfab@advancetabco.com or Fax: 631-586-2933

DIMENSIONS and SPECIFICATIONS

TOL Overall: $\pm .500''$ Interior: $\pm .250''$

ALL DIMENSIONS ARE TYPICAL

PRHS-19 Series



PRHS-24 Series

