



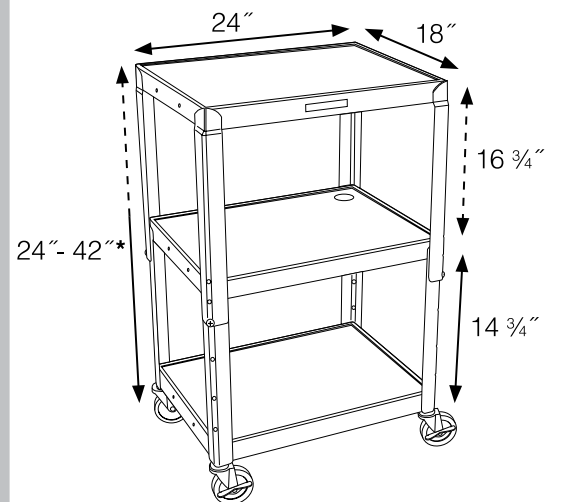
## 24"W x 18"D Adjustable Height Metal Cart



AVJ42

- Roll formed shelves with powder coat paint finish
- Cable pass through holes
- 3-outlet 15' UL and CSA listed electric
- 1/4" retaining lip around each shelf
- Includes safety mat for top shelf

### Measurements:



\* - in 2" increments

### Available in 9 Colors:



Color Options:

<b>Black</b>	<b>Gray</b> LG	<b>Putty</b> OW	<b>Red</b> RD	<b>Burgundy</b> BY	<b>Blue</b> RB	<b>Yellow</b> YW	<b>Green</b> GN	<b>Navy</b> Z
--------------	-------------------	--------------------	------------------	-----------------------	-------------------	---------------------	--------------------	------------------