

PROJECT: _____
 MODEL: _____
 ITEM #: _____ QUANTITY: _____
 APPROVAL: _____ DATE: _____

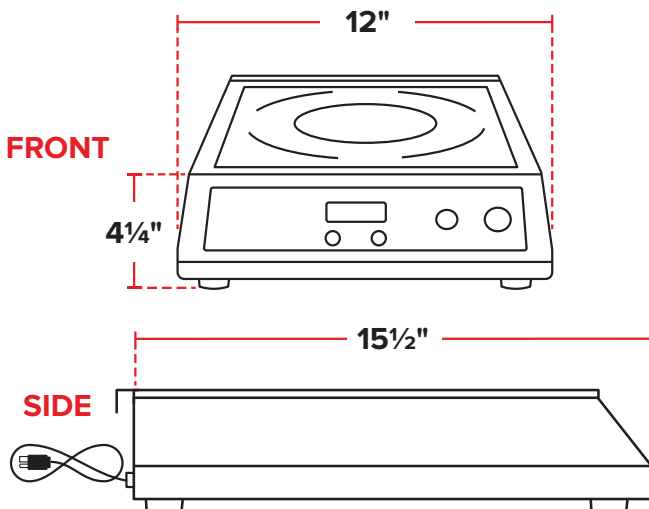
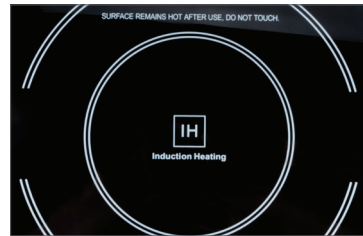
Single Burner Countertop Induction Range/Cooker

ITEM NUMBER

#177IC3500

SPECIAL FEATURES

- 10¼" max bottom pan diameter, great for fry pans and smaller stock pots
- 3500W means quicker cooking times compared to standard induction ranges
- Automatically switches to standby mode when pan is removed
- Durable stainless steel body with 65 lb. suggested weight capacity
- No open flame makes this a safer alternative to conventional countertop ranges



TECHNICAL DATA

Dimensions	12"W x 15½"D x 4¼"H
Cooking Surface Dimension	5" - 10¼"
Number of Burners	1
Amps	14.5-16.8
Hertz	60
Phase	1
Voltage	208/240
Wattage	3500
Control Type	Digital
Weight Capacity	65 lb.
Temperature Range	140-460



6-20P