

Item #: 177mt64 Project: _____

Qty: _____ Date: _____ Approval: _____

Avantco MT64 Stainless Steel 64 Blade Meat Tenderizer - 115V, 1/2 hp

Item #177MT64



Technical Data

Voltage	115 Volts
Wattage	350 Watts
Blade Material	Stainless Steel
Color	Silver
Horsepower	1/2 HP
Material	Stainless Steel
Number of Blades	64
Plug Type	NEMA 5-15P
Power Type	Electric
Type	Meat Tenderizers

Features

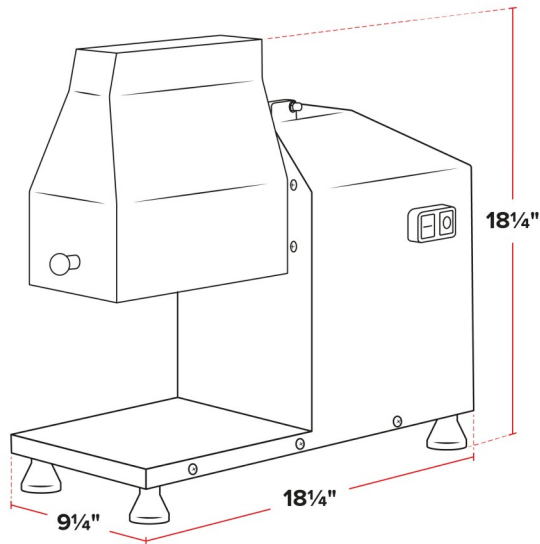
- Tenderizes meat up to 8" wide x 3/4" thick
- Durable stainless steel construction is easy to clean
- Tenderizer blade is perfect for softening tough cuts of meat like pork or steak
- Stripper attachment (sold separately) adds slicing function to the tenderizer
- Helps prepare meats for your fun signature dishes; 115V, 1/2 hp

Certifications



Avantco Equipment

Plan View



Notes & Details

Tenderize your signature meats with precision and ease using this Avantco MT64 stainless steel 64 blade meat tenderizer! A great addition to your deli, local butcher shop, high-output restaurant, or neighborhood market, this meat tenderizer is the perfect solution for your tenderizing and slicing needs. Combining a powerful 1/2 hp motor with razor sharp stainless steel blades, this unit delivers superior precision and power.

This unit is able to tenderize or slice meat up to 8" wide and 3/4" thick, allowing you to prepare anything from pork to chicken! The tenderizer blade is perfect for softening and tenderizing even the toughest cuts of meat, like steak or pork. With a stripper attachment (sold separately), your tenderizer transforms into a slicer, which is great for cutting meats like chicken or steak into uniform strips to help you create fun signature dishes, like fajitas. Its durable stainless steel construction is equipped to handle heavy-duty use and is incredibly easy to clean to avoid cross contamination. This unit requires a 115V electrical connection for operation.

⚠ WARNING: This product can expose you to chemicals including lead, which are known to the State of California to cause cancer, birth defects, or other reproductive harm. For more information, go to www.p65warnings.ca.gov.