

DLC Series Deli Case

REFRIGERATION
AVANTCO

www.AvantcoRefrigeration.com

MODEL #178DLC47HCW

DLC SERIES - DELI CASE

For merchandising and storage of deli meats and cheeses, and grab and go sandwiches and salads.

CABINET CONSTRUCTION

White coated steel exterior with aluminum interior. Interior features stainless steel floor to resist corrosion and rust from the inevitable spill or leak.

Curved, front glass pane provides product visibility for merchandising.

Interior LED lighting illuminates product for a bright, effective display.

Foamed-in-place CFC- and HCFC-free polyurethane insulation enhances the structural integrity of the cabinet and helps increase energy efficiency.

DOORS

Rear doors slide open for easy placement and removal of products.

REFRIGERATION SYSTEM

Environmentally safe R290 refrigerant. Rear-mounted condensing unit positioned for easy maintenance.

SHELVING

6 epoxy-coated steel shelves included. Each accommodates up to 90 lb. to best suit your needs.

MODEL FEATURES

Intuitive, easy to read digital controls. Auto-defrost function simplifies maintenance and servicing.

Gravity coils help create high-humidity environment to prevent meat from drying out.

SPECIAL FEATURES

- Front glass pane for merchandise visibility
- 6 epoxy-coated shelves for organized display
- 11.9 cu. ft. of refrigerated storage space
- Foamed-in-place polyurethane insulation
- Digital temperature controls hold at 33-40°F
- Environmentally-friendly R290 refrigerant
- White coated steel exterior
- Painted aluminum and 304 type stainless steel interior
- Auto defrost feature simplifies maintenance
- ¼ hp compressor



WARRANTY

RESIDENTIAL: Avantco assumes no liability for parts or labor coverage for component failure, factory defect or any other damages for units installed in non-commercial foodservice or residential applications.



Parts & Labor



Compressor



DLC Series Deli Case

MODELS #178DLC47HCW



www.AvantcoRefrigeration.com

TECHNICAL DATA

Dimensions

Exterior Dimensions	47¼"W x 32½"D x 42⅞"H
Interior Dimensions	43¼"W x 26¾"D x 26¾"H
Net Volume	11.9 cu. ft.
Net Weight	320 lb.
Gross Weight	388 lb.
Packing Dimensions	51¼"W x 36¼"D x 48¾"H

Cooling

Temperature Range	33°F - 40°F
Refrigerant	R290
Max. Ambient Temperature	90°F
Defrosting	Automatic
Temperature Controller	Digital
Horsepower	1/4

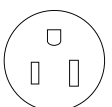
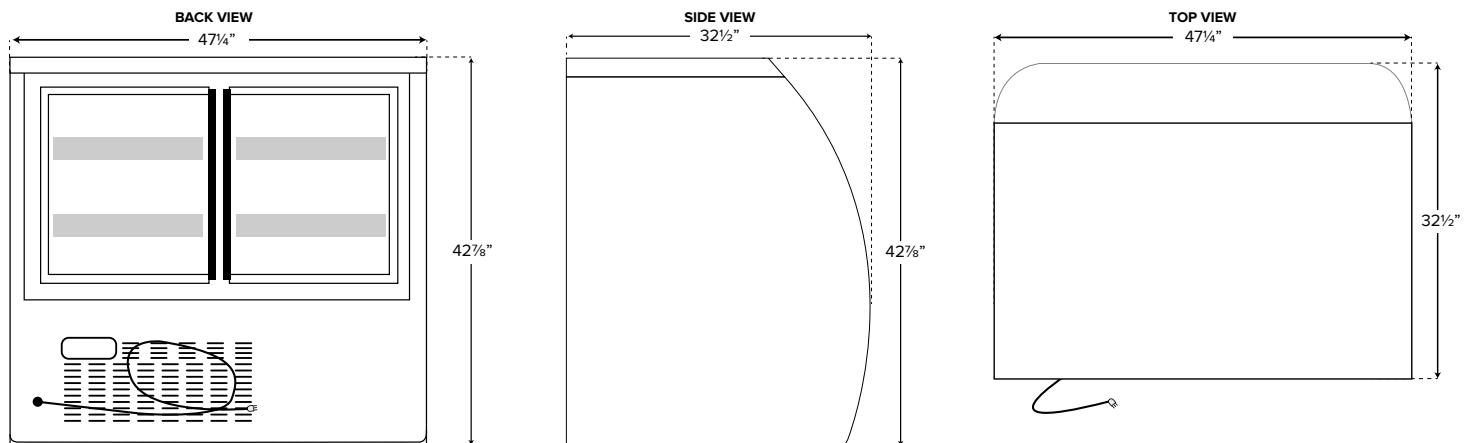
Construction

Exterior Material	White Coated Steel
Interior Material	Painted Aluminum and Type 304 Stainless Steel
Insulation Material	Foamed-in-place Polyurethane
Shelves	(4) of 19¾"W x 22½"D and (2) of 20¾"W x 24¾"D
Shelf Material	Epoxy-coated Steel
Shelf Load Capacity	90 lb.

Electrical

Voltage	115
Amps	3.2
Hz	60
Phase	1
Plug Type	NEMA 5-15P
Electrical Cord Length	98"

PLAN VIEW



NEMA 5-15P