



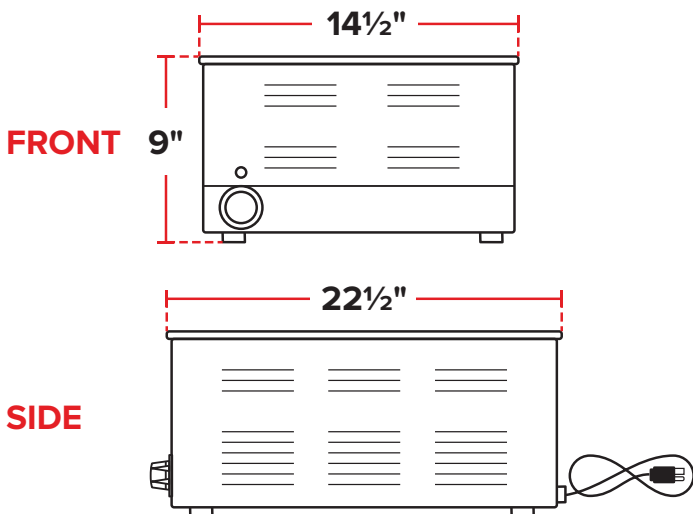
Full Size Electric Countertop Food Warmer

ITEM NUMBER

#177W50

SPECIAL FEATURES

- Maintains foodsafe temperatures for hours
- Heavy duty water well
- Heating element supports direct heat to food
- 27 qt. capacity



TECHNICAL DATA

Interior Dimensions	12" x 20" x 7¼"
Exterior Dimensions	14½" x 22½" x 9"
Control Type	Thermostatic
Voltage	120V
Wattage	1200W
Hertz	60Hz
Amps	10 Amps
Phase	1



5-15P