

NOR-LAKE, INCORPORATED  
727 Second Street  
Hudson, Wisconsin 54016

800-955-5253  
715-386-2323  
866-961-5253 Parts  
800-388-5253 Service  
715-386-4291 FAX  
www.norlake.com



## ADVANTEDGE™ FULL LINE SWING GLASS DOOR FREEZER MERCHANDISERS



NLGFP48-HG

NLGFP27-HG

PROJECT:

ITEM NUMBER:

MODEL NUMBER:

### SPECIFICATIONS FOR: NLGFP23-HG, NLGFP27-HG, NLGFP48-HG, NLGFP74-HG

- **Finish:** 24 gauge painted textured galvanized steel interior and exterior. Black or white exterior finish. Standard white interior finish with stainless steel floor
- **Insulation:** 1-3/4" thick state-of-the-art, foamed-in-place "zero ODP" polyurethane insulation
- **Hardware:** Interior LED lighting with switch, interior hanging thermometer, top backlit graphic panel (standard panel is blank without graphics), adjustable legs for leveling, four adjustable heavy-duty epoxy coated shelves per door - adjustable in 1/2" increments on pilasters
- **Door:** Auto-close, triple pane, safety glass doors, contemporary style black heated door frame, heated glass, heavy-duty universal anti-microbial workflow handles, heavy-duty self-closing torquemaster hinges with field adjustable leveling and closing tension capability  
Standard door swing configuration:  
- 1-door .....hinged right  
- 2-door ..... left door hinged left, right door hinged right  
- 3-door ..... left door hinged left, middle door hinged right, right door hinged right
- **Electrical:** 115 volt, 60 Hz, 1 phase with cord and plug. 115/208-230/60/1 for NLGFP74-HG
- **Refrigeration** Self-contained bottom mount refrigeration system designed for optimum energy efficiency and low noise. Top mounted, low profile interior evaporator housing for increased storage, energy-free condensate removal. Refrigeration system is accessible for ease of service and regular preventative maintenance. Refrigerant: R-404a. Temperature range: -15°F to +5°F. Electronic temperature control.
- **Approvals:** UL, C-UL Safety, and UL Sanitation qualified \*\*

### STANDARD FEATURES

- 24 gauge painted textured galvanized steel interior and exterior
- Adjustable legs for leveling
- Anti-microbial finish on door handles
- Auto-close, triple pane, safety glass doors
- Contemporary style black heated door frame
- Energy-free condensate removal
- Four adjustable heavy-duty epoxy coated shelves per door
- Interior hanging thermometer
- Interior LED lighting with switch
- Product guard for optimum air flow
- Refrigerant: R-404a
- Self-contained bottom mount refrigeration system
- Standard and larger capacity single door models
- Top backlit graphic panel (standard panel is blank without graphics)
- Temperature range: -15°F to +5°F
- Top mounted, low profile interior evaporator housing for increased storage
- White interior finish with stainless steel floor
- Approvals: UL, C-UL Safety, and UL Sanitation qualified \*\*
- Warranties: 3 year parts and labor, 5 year compressor

### OPTIONAL FEATURES\*

- Additional shelving
- Black or white exterior finish
- Casters
- Graphic sign panels



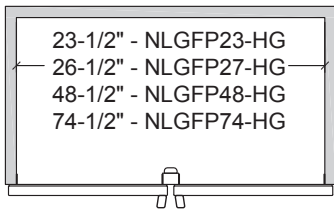
Nor-Lake, Inc.  
Registered to ISO 9001:2008  
File No. 10001816

\* Most options are available two weeks from receipt of order. Please contact us for specific questions.

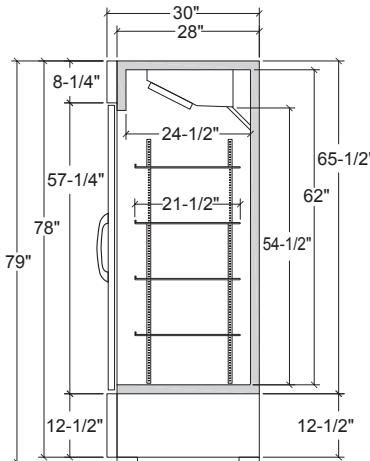
\*\* C-UL is Underwriters Laboratories Safety Certification Mark which indicates that UL has tested the equipment to applicable CSA Standards.

\*\* UL Sanitation is Underwriters Laboratories Sanitation Mark which indicates that UL has tested the equipment to applicable NSF Standards.

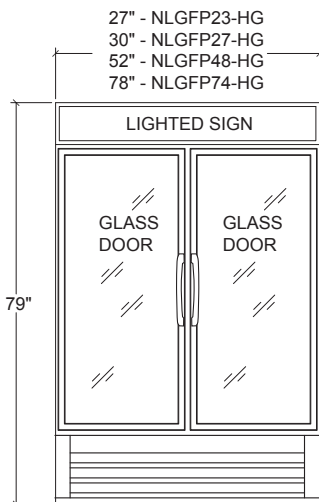
SWING GLASS DOOR MERCHANDISERS



TOP VIEW



SIDE VIEW



FRONT VIEW

**SPECIFICATIONS**

<b>Models</b>	<b>NLGFP23-HG</b>	<b>NLGFP27-HG</b>	<b>NLGFP48-HG</b>	<b>NLGFP74-HG</b>
<i>Crated Weight (lbs) (kg)</i>	365 (164)	380 (171)	575 (259)	770 (347)
<i>Crated Height (in) (cm)</i>	86 (215)	86 (215)	86 (215)	86 (215)
<i>Crated Width (in) (cm)</i>	36 (90)	36 (90)	60 (150)	88 (220)
<i>Crated Depth (in) (cm)</i>	40 (100)	40 (100)	42 (105)	42 (105)
<i>Interior Height (in) (cm)</i>	54-1/2 (138)	54-1/2 (138)	54-1/2 (138)	54-1/2 (138)
<i>Interior Width (in) (cm)</i>	23-1/2 (60)	26-1/2 (67)	48-1/2 (123)	74-1/2 (189)
<i>Interior Depth (in) (cm)</i>	24-1/2 (62)	24-1/2 (62)	24-1/2 (62)	24-1/2 (62)
<i>Overall Height (in) (cm)</i>	79 (201)	79 (201)	79 (201)	79 (201)
<i>Overall Width (in) (cm)</i>	27 (69)	30 (76)	52 (132)	78 (198)
<i>Overall Depth (in) (cm) *</i>	30 (76)	30 (76)	30 (76)	30 (76)
<i>Gross Cubage (CuFt) (L)</i>	22.1 (625)	25.0 (708)	45.7 (1293)	70.2 (1987)
<i>Number of Shelves</i>	4	4	8	12
<i>Shelf Area (SqFt) (Sqm)</i>	13.4 (1.2)	15.2 (1.4)	28.1 (2.6)	43.3 (3.9)
<i>Condensing Unit Size</i>	1/2 HP	1/2 HP	3/4 HP	1 HP
<i>Refrigerant</i>	R-404a	R-404a	R-404a	R-404a
<i>Electrical Characteristics</i>	115/60/1	115/60/1	115/60/1	115/208-230/60/1
<i>Cord and Plug Furnished</i>	Yes	Yes	Yes	Yes
<i>NEMA Plug Configuration</i>	5-15P	5-15P	5-20P	L14-20P
<i>Total Amp Draw</i>	7.5	7.5	12.3	12.8

*Specifications subject to change without notice.*

*\* Does not include door handle*



Revision Date: 03/17  
 © 2014 NOR-LAKE, INC.  
 Printed in the U.S.A.  
 Part Number: 155850