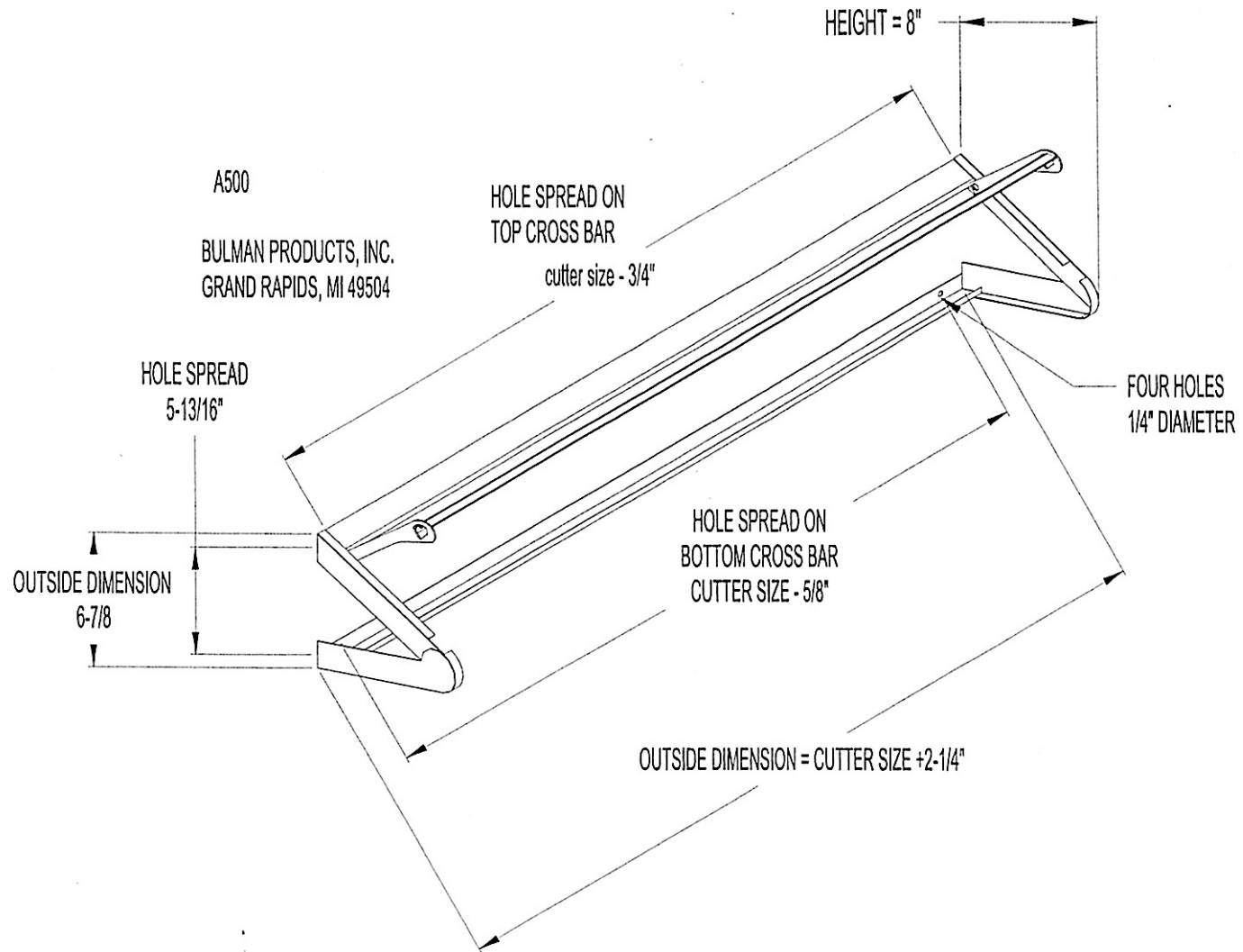


A500/A501  
A502/A503



HOLE SPREAD

Front to Back - 5 13/16"

Side to Side

Front Cross Bar (side with blade)-Size less 3/4" (Example A500-36 holes are 35 1/4" apart)  
Back Cross Bar - Size less 5/8" (Example A500-36 holes are 35 3/8" apart)