



# COUNTER EQUIPMENT STAINLESS STEEL STANDS

**WOLF RANGE COMPANY**

## BASIC MODELS

- ▶ STAND/C
- ▶ STAND/C-VCCB
- ▶ TYG\_SS-STAND5
- ▶ STAND/F
- ▶ STAND/F-VCCB



**STAND/C-48**

## KEY FEATURES

- ▶ Stainless steel construction.
- ▶ Welded and smooth blended edges.
- ▶ 1/2" wide marine edges.
- ▶ STAND/C and TYG\_SS-STAND5 models have 5" casters with 2 or 3 locking brakes.
- ▶ STAND/F models have adjustable height flange feet that allow for floor mounting.
- ▶ All models have an undershelf.
- ▶ Will accommodate any arrangement of Wolf counter top equipment.
- ▶ One year limited parts and labor warranty.



**STAND/F-48**

Approved by \_\_\_\_\_

Date: \_\_\_\_\_

## OPTIONAL FEATURES

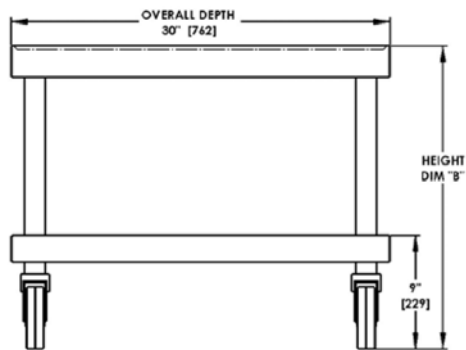
- ▶ Product variations available. See your sales representative for product variance requests.

**MODEL: Counter Equipment Stands**

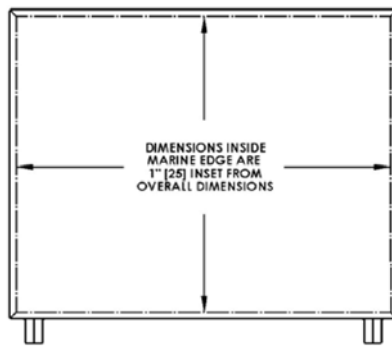
<p><b>WOLF RANGE COMPANY</b></p>	<p>Wolf Range Company Division of ITW Food Equipment Group LLC (800) 366-9653 www.wolfrange.com</p>
----------------------------------	---



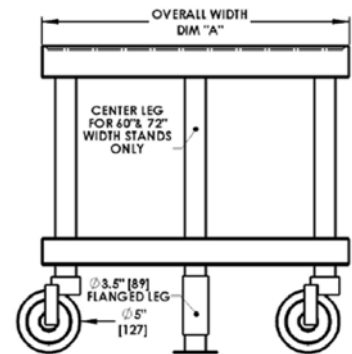
# COUNTER EQUIPMENT STAINLESS STEEL STANDS



**SIDE VIEW**



**TOP VIEW**



**FRONT VIEW**

PRODUCT FAMILY	ACCESSORY CODE CASTERS	ACCESSORY CODE FLANGED LEGS	DIM "A"	DIM "B"	RESULTING COOKING HEIGHT
ASA	STAND/C-12	STAND/F-12	12"[305]	24"[610]	36"[914]
AGM	STAND/C-24	STAND/F-24	26"[660]		
AGE	STAND/C-36	STAND/F-36	37"[940]		
AGT	STAND/C-48	STAND/F-48	49"[1245]		
ACB	STAND/C-60	STAND/F-60	61"[1550]		
AHP	STAND/C-72	STAND/F-72	73"[1854]		
SCB	STAND/C-VCCB25	STAND/F-VCCB25	26"[660]	23"[584]	36"[914]
	STAND/C-VCCB36	STAND/F-VCCB36	37"[940]		
	STAND/C-VCCB47	STAND/F-VCCB47	49"[1245]		
	STAND/C-VCCB60	STAND/F-VCCB60	61"[1550]		
	STAND/C-VCCB72	STAND/F-VCCB72	73"[1854]		
TYG	TYG48SS-STAND5	N/A	49"[1245]	20"[508]	30"[762]
	TYG60SS-STAND5	N/A	61"[1550]		

**NOTE:** In line with its policy to continually improve its product, Wolf Range Company reserves the right to change materials and specifications without notice.

*This appliance is manufactured for commercial use only and is not intended for home use.*