

G4 ThermoPro® One Gallon Coffee Brewers

in Sky White and Black



G4TP1S63W3100

Sky White Single Coffee Brewer with 1.0 Gallon TFT1G without base (sold separately)



G4TP1TW3100

Sky White Twin Coffee Brewer with 1.0 Gallon TFT1G without base (sold separately)



G4TP1S63B3100

Black Single Coffee Brewer with 1.0 Gallon TFT1G without base (sold separately)



G4TP1TB3100

Black Twin Coffee Brewer with 1.0 Gallon TFT1G without base (sold separately)

■ Brewer Features

Generation Four (G4) Digital Control Module
Large, 4.3" Touch Screen

Icon-Driven Interface
Real Time Feedback

Built-in Self Diagnostic System
Energy Saving Mode



TXSG0101S600
1.0 Gallon
with Sight Glass



TFTR1G
1.0 Gallon
with Rear-Facing Display



TFT1G
1.0 Gallon
with Lockable Base



TFT1G2
1.0 Gallon
without Base



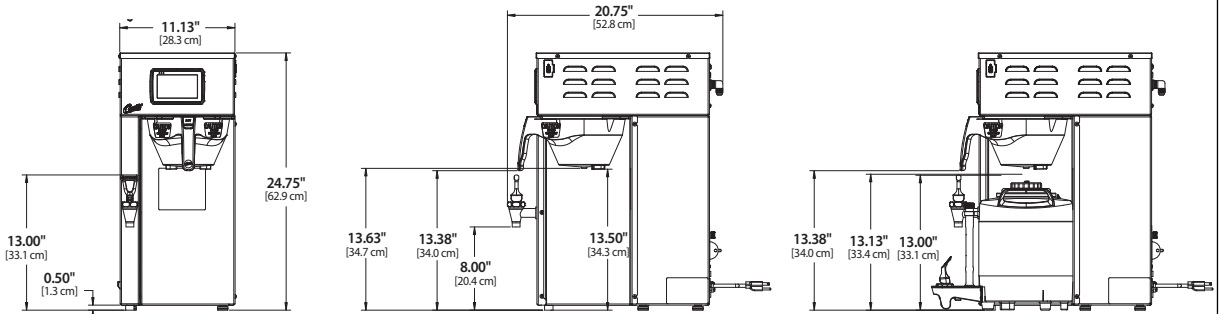
TFT1G3
1.0 Gallon
Non-Lockable Base



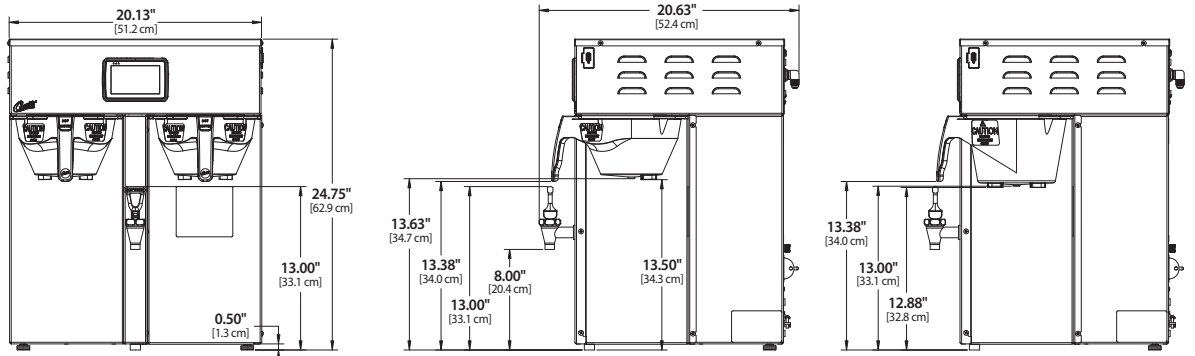
Perfecting the art of brewing since 1941

G4 ThermoPro® One Gallon Coffee Brewers

G4TP1S63W3100
G4TP1S63B3100
 G4 Single One Gallon
 Coffee Brewer



G4TP1T10W3100
G4TP1T10B3100
 G4 Twin One Gallon
 Coffee Brewer



Specifications

MODEL #	DESCRIPTION	HEIGHT x WIDTH x DEPTH	BREWER FILL WEIGHT	BREWED GAL/HR
G4TP1S63W3100	G4 ThermoPro® Single 1.0 gal., Sky White	24.75" x 11.13" x 20.75"	59.4 lbs.	4.5/10.0
G4TP1S63B3100	G4 ThermoPro® Single 1.0 gal., Black	24.75" x 11.13" x 20.75"	59.4 lbs.	4.5/10.0
G4TP1T10W3100	G4 ThermoPro® Twin 1.0 gal., Sky White	24.75" x 20.13" x 20.63"	118.4 lbs.	15.0/21.0
G4TP1T10B3100	G4 ThermoPro® Twin 1.0 gal., Black	24.75" x 20.13" x 20.63"	118.4 lbs.	15.0/21.0

Utility Requirements

MODEL #	PHASE	VOLTS	AMPS	ELECTRICAL					WATER			
				MIN. CIRCUIT	HEAT CONFIG	WIRE	WATTS	HERTZ	CONNECTOR	PRESSURE	MIN. FLOW RATE	TANK VOL.
G4TP1S63W3100	1 PH	110/220V	13.8/12.2A	15/20A	2 x 1600W	2/3W+G	1650/2700W	50/60 Hz	3/8" Flare	20 - 90 psi	1.0 GPM	2.2 gal.
G4TP1S63B3100	1 PH	110/220V	13.8/12.2A	15/20A	2 x 1600W	2/3W+G	1650/2700W	50/60 Hz	3/8" Flare	20 - 90 psi	1.0 GPM	2.2 gal.
G4TP1T10W3100	1 PH	220V	23.0/34.5A	30/50A	3 x 2500W	3W+G	5100/7600W	50/60 Hz	3/8" Flare	20 - 90 psi	2.0 GPM	5.2 gal.
G4TP1T10B3100	1 PH	220V	23.0/34.5A	30/50A	3 x 2500W	3W+G	5100/7600W	50/60 Hz	3/8" Flare	20 - 90 psi	2.0 GPM	5.2 gal.

SPECIFICATIONS SUBJECT TO CHANGE WITHOUT NOTICE

Dispenser Reference Guide

MODEL #	TXSG0101S600	TFT1G/TFTR1G	TFT1G2	TFT1G3
G4TP1S63W3100	✓	✓	✓	✓
G4TP1S63B3100	✓	✓	✓	✓
G4TP1T10W3100	✓	✓	✓	✓
G4TP1T10B3100	✓	✓	✓	✓



Wilbur Curtis Co., Inc. / 6913 Acco Street / Montebello CA 90640
 800.421.6150 / 323.837.2300 / www.wilburcurtis.com
 Perfecting the art of brewing since 1941