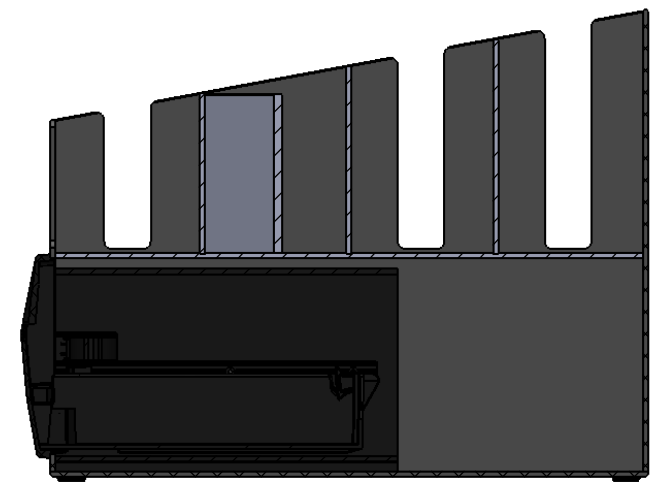
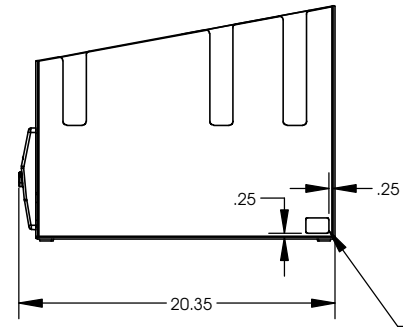
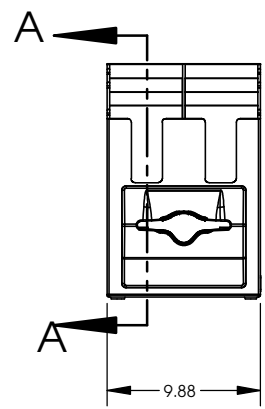
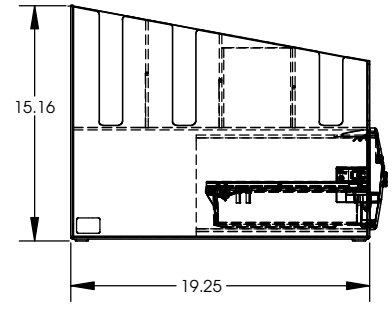
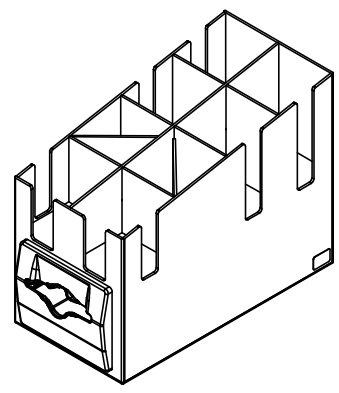
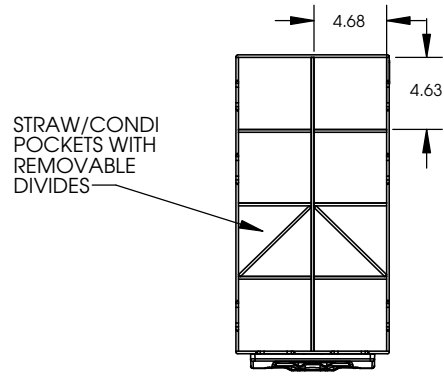


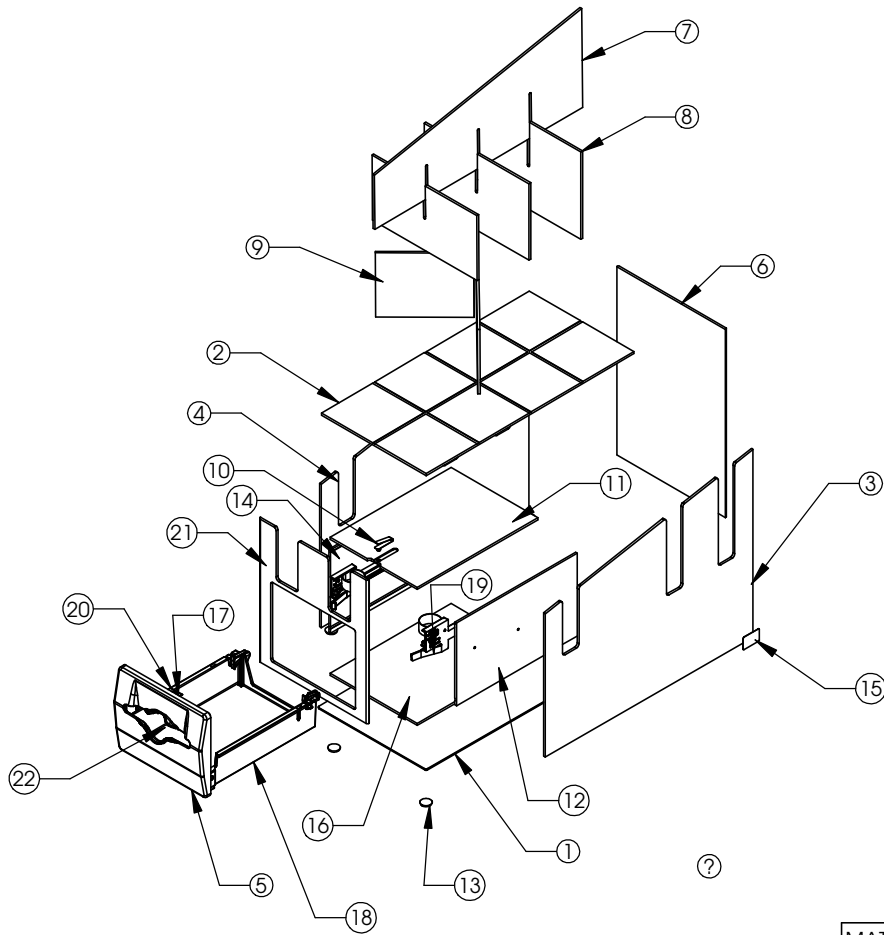
A	17104	CRN	RELEASE	3/30/2016
REV.	ECN	BY	DESCRIPTION	DATE
CHANGE RECORD				



1 1/2" X1" PRINTED LABEL LABEL LOCATION

MAT'L: ABS	TITLE	DRAWING CHANGED FROM	
FINISH: BLACK	CTNCLS ORGANIZER -NAPKIN HOLDER	DRAWN BY: RDS	
TOLERANCES UNLESS SPECIFIED OTHERWISE	The VOLLRATH CO. LLC Dane, WI	DATE: 3/15/16	CHKD. CRN
X.XX ± 0.06 X.XXX ± 0.010		SCALE 1:8	DRAWING #
FRACTIONS ± 1/32	NOTICE TO ALL PERSONS VIEWING THIS DRAWING THE CONTENTS OF THIS DRAWING ARE CONFIDENTIAL AND PROPRIETARY PROPERTY OF THE VOLLRATH COMPANY. ANY DISCLOSURE, USE, OR COPYING WITHOU PRIOR WRITTEN CONSENT FROM VOLLRATH CO. LLC IS PROHIBITED. COPYRIGHT, VOLLRATH CO. LLC. , AN UNPUBLISHED WORK. ALL RIGHTS RESERVED		REV
ANGLES ± 1°			CTNCLS
	SHEET# <u>1</u> OF <u>5</u>		

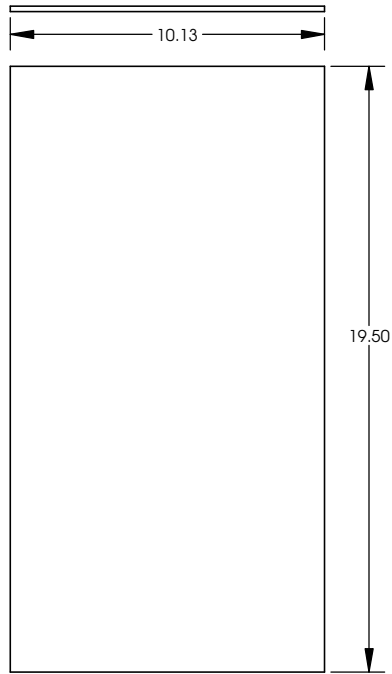
-	-	-	See Sheet 1	-
REV.	ECN	BY	DESCRIPTION	DATE
CHANGE RECORD				



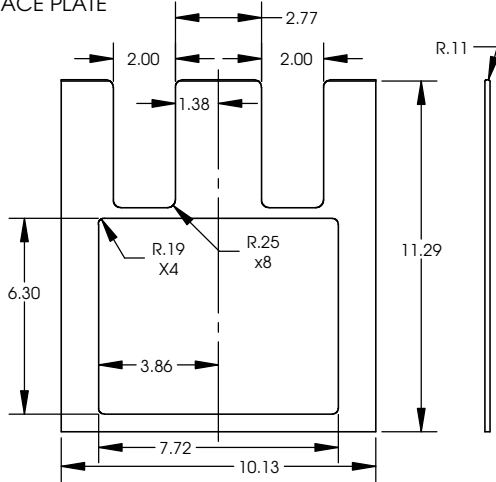
ITEM NO.	DESCRIPTION	QTY.
1	BOTTOM	1
2	TOP PANEL	1
3	RIGHT SIDE	1
4	LEFT SIDE	1
5	BLACK FACEPLATE 8405006BB3	1
6	BACK	1
7	MAIN PARTITION	1
8	DIVIDER	3
9	PARTITION	2
10	BUTTON DETENT SNAP 91003	1
11	NAPKIN TOP	1
12	NAPKIN RIGHT SIDE	1
13	8014034 BS-24 BUMPER	4
14	NAPKIN LEFT SIDE	1
15	LABEL, 1 1/2 X 1 PRINTED	1
16	NAPKIN BOTTOM	1
17	RIVET, 917	2
18	DRAWER, 84300B	1
19	GUIDE RAILS (L&R) 84280B	1
20	LATCH 8401	1
21	FACE PLATE	1
22	PRESSURE PLATE 8411B (NOT SHOWN)	1

MAT'L: NOTED	TITLE	DRAWING CHANGED FROM	
FINISH: NOTED	CTNCLS ORGANIZER - NAPKIN HOLDER	DRAWN BY: RDS	
TOLERANCES UNLESS SPECIFIED OTHERWISE	The VOLLRATH CO. LLC Dane, WI	DATE: 3/15/16	CHKD. CRN
X.XX ± 0.06	<small>NOTICE TO ALL PERSONS VIEWING THIS DRAWING THE CONTENTS OF THIS DRAWING ARE CONFIDENTIAL AND PROPRIETARY PROPERTY OF THE VOLLRATH COMPANY. ANY DISCLOSURE, USE, OR COPYING WITHOUT PRIOR WRITTEN CONSENT FROM VOLLRATH CO., LLC IS PROHIBITED. COPYRIGHT, VOLLRATH CO., LLC, AN UNPUBLISHED WORK. ALL RIGHTS RESERVED</small>	SCALE 1:12	DRAWING #
X.XXX ± 0.010			CTNCLS
FRACTIONS ± 1/32			
ANGLES ± 1°			SHEET# <u>2</u> OF <u>5</u>

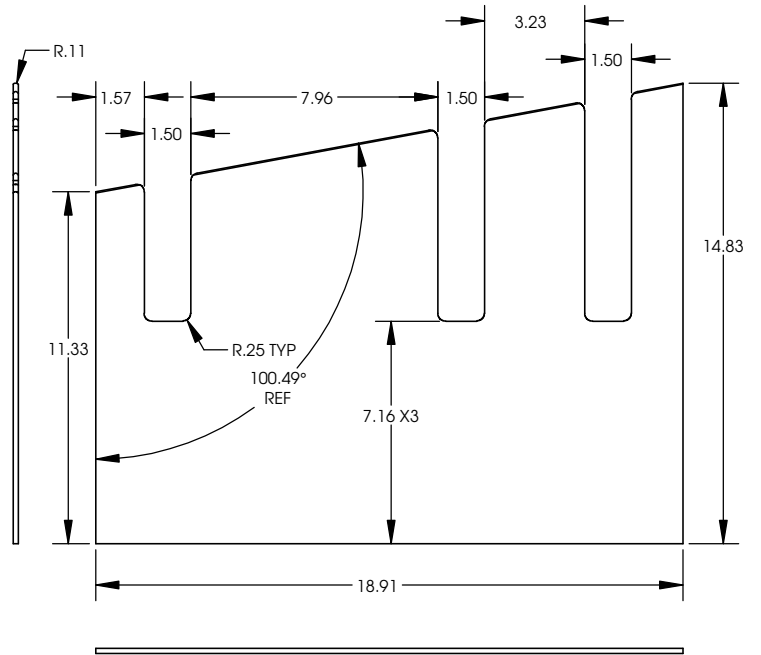
BOTTOM



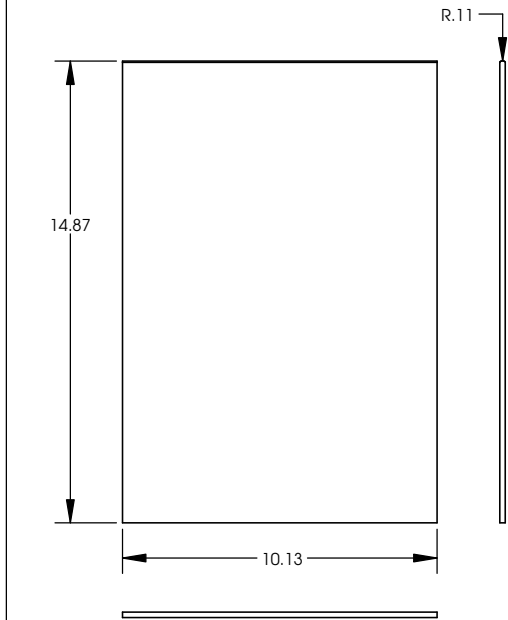
FACE PLATE



-	-	-	See Sheet 1	-
REV.	ECN	BY	DESCRIPTION	DATE
CHANGE RECORD				



LEFT SIDE
RIGHT SIDE IS MIRROR IMAGE

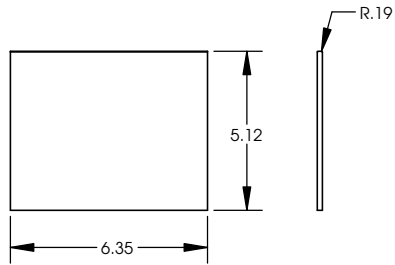


BACK

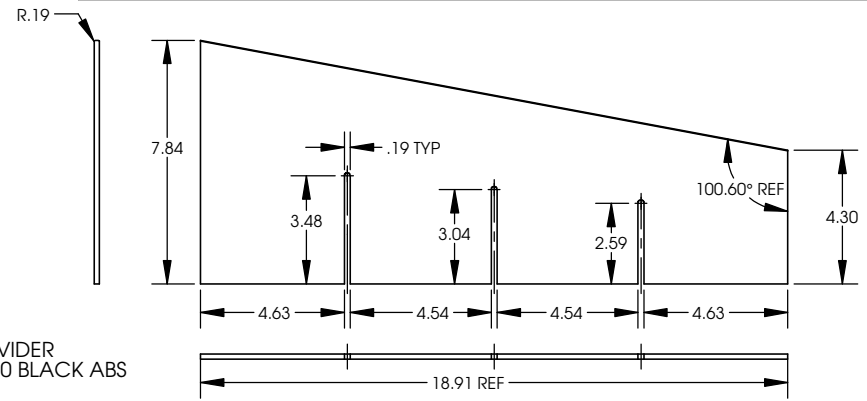
MATERIAL FOR ALL COMPONENTS ON THIS SHEET - .170 BLACK ABS

MAT'L: NOTED	TITLE	DRAWING CHANGED FROM	
FINISH: NOTED	CTNCLS ORGANIZER - NAPKIN HOLDER	DRAWN BY: RDS	
TOLERANCES UNLESS SPECIFIED OTHERWISE	The VOLLRATH CO. LLC Dane, WI	DATE: 3/15/16	CHKD. CRN
X.XX ± 0.06 X.XXX ± 0.010 FRACTIONS ± 1/32 ANGLES ± 1°		SCALE 1:4	DRAWING # CTNCLS
NOTICE TO ALL PERSONS VIEWING THIS DRAWING THE CONTENTS OF THIS DRAWING ARE CONFIDENTIAL AND PROPRIETARY PROPERTY OF THE VOLLRATH COMPANY. ANY DISCLOSURE, USE, OR COPYING WITHOUT PRIOR WRITTEN CONSENT FROM VOLLRATH CO. LLC IS PROHIBITED. COPYRIGHT, VOLLRATH CO. LLC, AN UNPUBLISHED WORK. ALL RIGHTS RESERVED		REV A	SHEET# <u>3</u> OF <u>5</u>

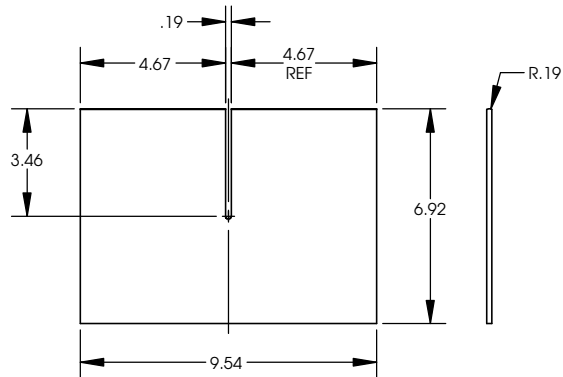
-	-	-	See Sheet 1	-
REV.	ECN	BY	DESCRIPTION	DATE
CHANGE RECORD				



PARTITION
MTL - .170 BLACK ABS

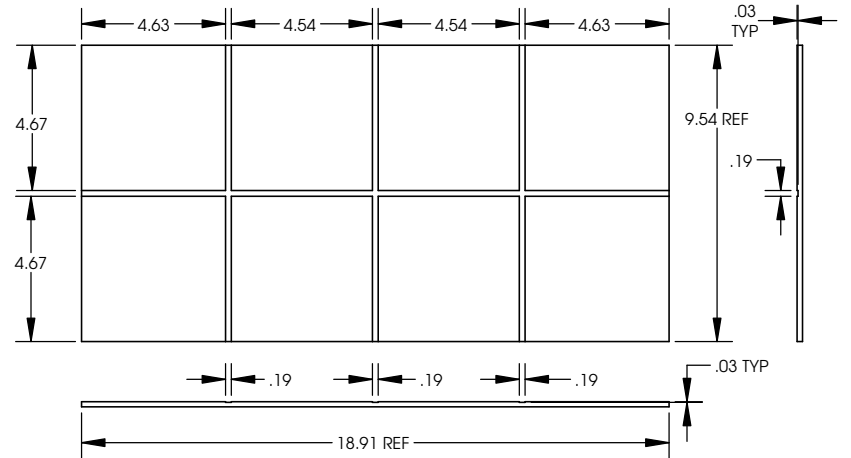


MAIN DIVIDER
MTL - .170 BLACK ABS



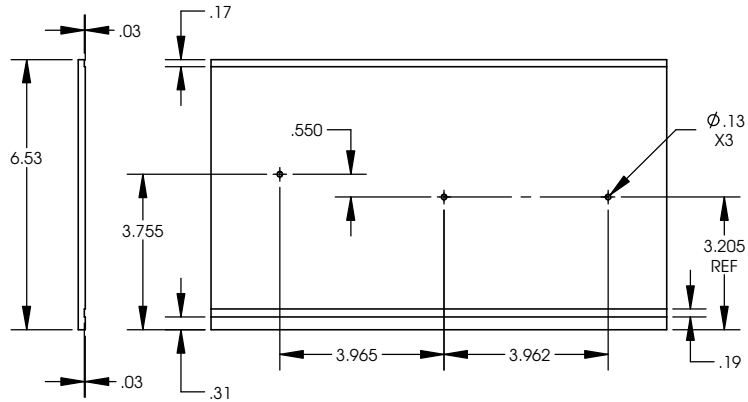
DIVIDER
MTL - .170 BLACK ABS

TOP PANEL
MTL - .170 BLACK ABS

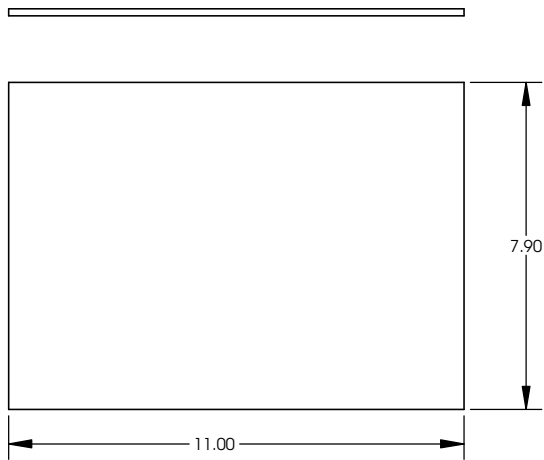


MAT'L: NOTED	TITLE	DRAWING CHANGED FROM	
FINISH: NOTED	CTNCLS ORGANIZER - NAPKIN HOLDER	DRAWN BY: RDS	
TOLERANCES UNLESS SPECIFIED OTHERWISE	The VOLLRATH CO. LLC Dane, WI	DATE: 3/15/16	CHKD. CRN
X.XX ± 0.06	<small>NOTICE TO ALL PERSONS VIEWING THIS DRAWING THE CONTENTS OF THIS DRAWING ARE CONFIDENTIAL AND PROPRIETARY PROPERTY OF THE VOLLRATH COMPANY. ANY DISCLOSURE, USE, OR COPYING WITHOUT PRIOR WRITTEN CONSENT FROM VOLLRATH CO. LLC IS PROHIBITED. COPYRIGHT, VOLLRATH CO. LLC, . AN UNPUBLISHED WORK. ALL RIGHTS RESERVED</small>	SCALE 1:4	DRAWING #
X.XXX ± 0.010			CTNCLS
FRACTIONS ± 1/32			REV
ANGLES ± 1°			A
		SHEET# <u>4</u> OF <u>5</u>	

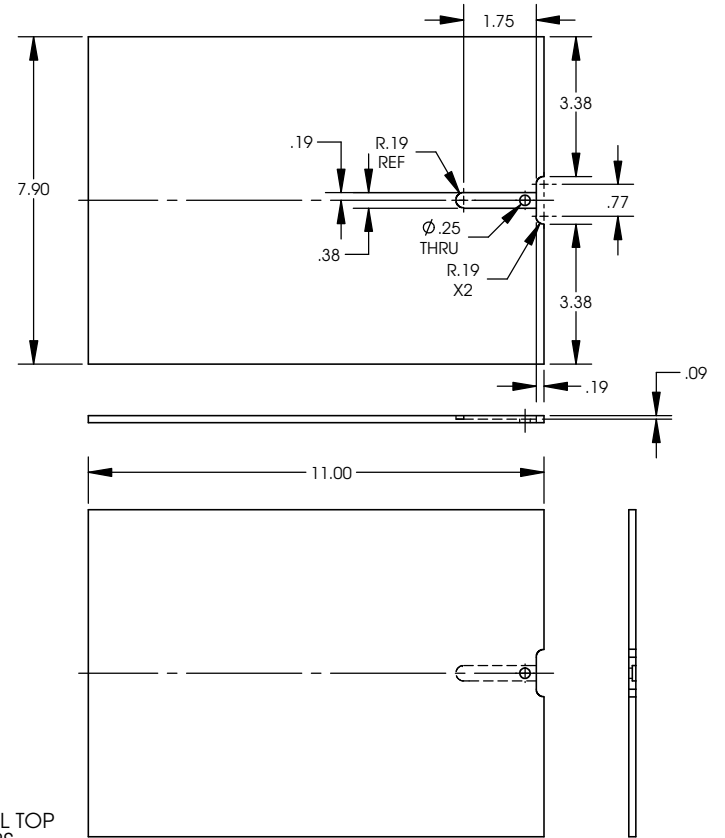
NAPKIN SIDE LEFT
 RIGHT IS MIRROR IMAGE
 MTL - .170 BLACK ABS



NAPKIN HORIZONTAL BOTTOM
 MTL - .170 BLACK ABS



-	-	-	See Sheet 1	-
REV.	ECN	BY	DESCRIPTION	DATE
CHANGE RECORD				



NAPKIN HORIZONTAL TOP
 MTL - .170 BLACK ABS

MAT'L: NOTED	TITLE	DRAWING CHANGED FROM	
FINISH: NOTED	CTNCLS ORGANIZER - NAPKIN HOLDER	DRAWN BY: RDS	
TOLERANCES UNLESS SPECIFIED OTHERWISE	The VOLLRATH CO. LLC Dane, WI	DATE: 3/15/16	CHKD. CRN
X.XX ± 0.06	<small>NOTICE TO ALL PERSONS VIEWING THIS DRAWING THE CONTENTS OF THIS DRAWING ARE CONFIDENTIAL AND PROPRIETARY PROPERTY OF THE VOLLRATH COMPANY. ANY DISCLOSURE, USE, OR COPYING WITHOUT PRIOR WRITTEN CONSENT FROM VOLLRATH CO., LLC IS PROHIBITED. COPYRIGHT, VOLLRATH CO., LLC. AN UNPUBLISHED WORK. ALL RIGHTS RESERVED</small>	SCALE 1:4	DRAWING #
X.XXX ± 0.010			CTNCLS
FRACTIONS ± 1/32			
ANGLES ± 1°			SHEET# 5 OF 5