

COUNTER MODEL STAINLESS STEEL STANDS



Model STAND/C-48

BASIC MODELS

- STAND/C
- STAND/C-VCCB
- STAND/F
- STAND/F-VCCB

STANDARD FEATURES

- Stainless steel construction.
- Welded and smooth blended edges.
- ½" wide marine edges
- STAND/C models have 5" casters with 2 or 3 locking brakes
- STAND/F models have adjustable height flange feet that allow for floor mounting.
- All models have an undershelf
- Will accommodate any arrangement of Vulcan counter top equipment.
- One year limited parts and labor warranty.



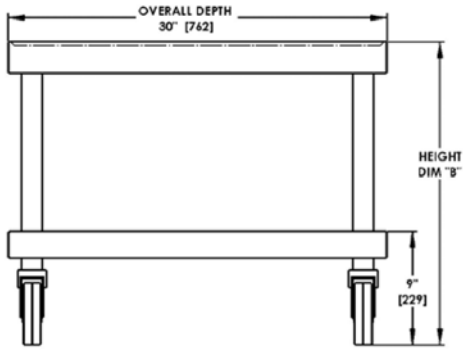
Model STAND/F-48

OPTIONS

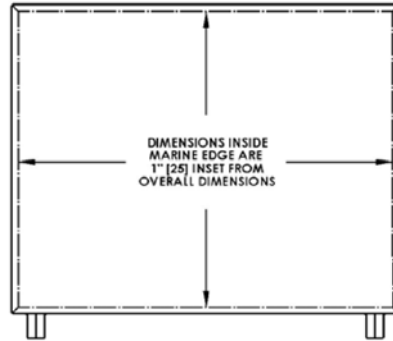
- Product variations available. See your sales representative for product variance requests.



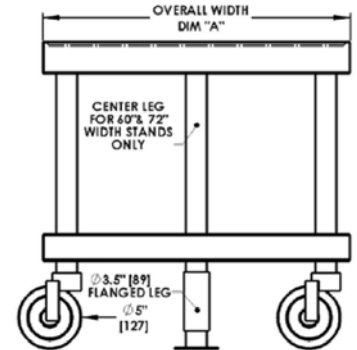
**COUNTER MODEL
STAINLESS STEEL STANDS**



SIDE VIEW



TOP VIEW



FRONT VIEW

| PRODUCT FAMILY | ACCESSORY CODE CASTERS | ACCESSORY CODE FLANGED LEGS | DIM "A" | DIM "B" | RESULTING COOKING HEIGHT |
|----------------|------------------------|-----------------------------|-----------|----------|--------------------------|
| 900RX | STAND/C-12 | STAND/F-12 | 12"[305] | 24"[610] | 36"[914] |
| 900RE | STAND/C-24 | STAND/F-24 | 26"[660] | | |
| MSA | STAND/C-36 | STAND/F-36 | 37"[940] | | |
| VACB | STAND/C-48 | STAND/F-48 | 49"[1245] | | |
| VHP | STAND/C-60 | STAND/F-60 | 61"[1550] | | |
| | STAND/C-72 | STAND/F-72 | 73"[1854] | | |
| VCCB | STAND/C-VCCB25 | STAND/F-VCCB25 | 26"[660] | 23"[584] | 36"[914] |
| | STAND/C-VCCB36 | STAND/F-VCCB36 | 37"[940] | | |
| | STAND/C-VCCB47 | STAND/F-VCCB47 | 49"[1245] | | |
| | STAND/C-VCCB60 | STAND/F-VCCB60 | 61"[1550] | | |
| | STAND/C-VCCB72 | STAND/F-VCCB72 | 73"[1854] | | |

NOTE: In line with its policy to continually improve its products, Vulcan-Hart Company reserves the right to change materials and specifications without notice.