

VULCAN**HEG-E SERIES
HEAVY DUTY ELECTRIC GRIDDLE**

Model HEG36E

**SPECIFICATIONS**

Heavy duty electric griddle, Vulcan Model No. _____. Stainless steel front and sides. 11" cooking height on 4" adjustable legs. 1/2" steel plate for 24", 36" and 48" units; 3/4" steel plate for 60" and 72" units. Tubular incoloy elements and one snap action thermostat for every 12" of griddle width. Thermostats adjust from 200° to 450° F. Stainless steel 4" back and tapered side splashes. 3 1/2" wide front grease trough empties into large capacity grease drawer. Available in 208V, 240V 50/60 Hz, 1 or 3 phase. 480V 50/60 Hz 3 phase.

NSF Certified. UL Listed. UL Listed to Canadian safety standards.

SPECIFY VOLTAGE WHEN ORDERING.

- HEG24E** 24" w x 24" d griddle plate
- HEG36E** 36" w x 24" d griddle plate
- HEG48E** 48" w x 24" d griddle plate
- HEG60E** 60" w x 24" d griddle plate
- HEG72E** 72" w x 24" d griddle plate

STANDARD FEATURES

- Stainless steel front, sides and 4" adjustable legs.
- 1/2" steel plate for 24", 36" and 48" units; 3/4" steel plate for 60" and 72" units.
- 11" cooking height on 4" adjustable legs.
- Two solid sheathed tubular incoloy heating elements, one snap action thermostat and cycling light per each 12" griddle width. Thermostats adjust from 200° to 450° F.
- Heavy duty chromed thermostat knob guards
- Stainless steel 4" back and tapered side splashes.
- 3 1/2" wide front grease trough empties into a large capacity grease drawer. 60" and 72" models have two grease drawers.
- Available in 208V or 240V, 50/60 Hz, 1 or 3 phase power supply. 480V, 50/60 Hz 3 phase power supply.
- One year limited parts and labor warranty.

OPTIONS

- Stainless steel stand with marine edges and casters.
- Cutting board, condiment rail, plate rail and banking strip accessories.

VULCAN

a division of ITW Food Equipment Group LLC

P.O. Box 696 ■ Louisville, KY 40201 ■ Toll-free: 1-800-814-2028 ■ Local: 502-778-2791 ■ Quote & Order Fax: 1-800-444-0602



**HEG-E SERIES
HEAVY DUTY ELECTRIC GRIDDLE**

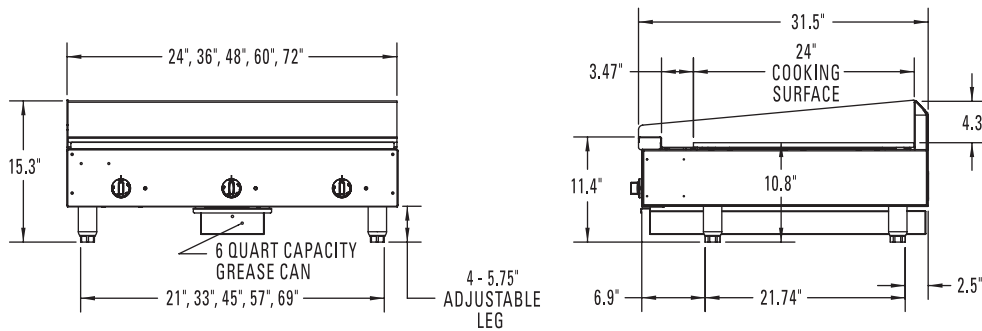
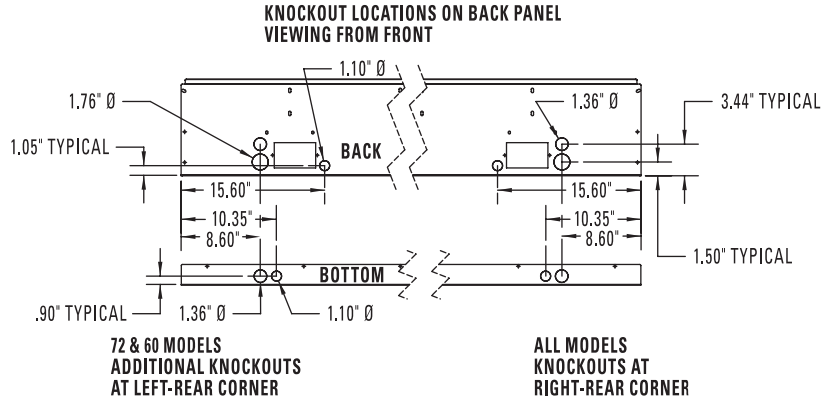
ELECTRICAL CHARACTERISTICS

STANDARD VOLTAGES – 208 VOLTS OR 240 VOLTS 50/60 Hz. – SINGLE OR THREE PHASE 480 VOLTS 50/60 Hz. – THREE PHASE ONLY																
MODEL NO.	TOTAL CONN. KW	TOTAL KW PER CONN	3 PHASE LOADING KW PER PHASE PER CONN.*			NOMINAL AMPS PER LINE WIRE CONN.*										
						3 PHASE									1 PHASE	
						208 VOLT			240 VOLT			480 VOLT			208	240
						X-Y	Y-Z	X-Z	X	Y	Z	X	Y	Z	X	Y
HEG24E	10.8	10.8	5.4	5.4	0.0	22.5	45.0	22.5	19.5	39.0	19.5	9.7	19.5	9.7	51.9	45.0
HEG36E	16.2	16.2	5.4	5.4	5.4	45.0	45.0	45.0	39.0	39.0	39.0	19.5	19.5	19.5	77.9	67.5
HEG48E	21.6	21.6	10.8	5.4	5.4	67.4	67.4	45.0	58.5	58.5	39.0	29.2	29.2	19.5	103.8	90.0
HEG60E*	27.0	16.2	5.4	5.4	5.4	45.0	45.0	45.0	39.0	39.0	39.0	19.5	19.5	19.5	77.9	67.5
		10.8	5.4	0.0	5.4	45.0	22.5	22.5	39.0	19.5	19.5	19.5	9.7	9.7	51.9	45.0
HEG72E*	32.4	16.2	5.4	5.4	5.4	45.0	45.0	45.0	39.0	39.0	39.0	19.5	19.5	19.5	77.9	67.5
		16.2	5.4	5.4	5.4	45.0	45.0	45.0	39.0	39.0	39.0	19.5	19.5	19.5	77.9	67.5

*Model HEG60E and HEG72E require two separate electrical connections and services.

INSTALLATION CLEARANCES:

Sides and rear must be 1" from nearest combustible construction and 0" from non-combustible construction. Bottom must be 4" from combustible or non-combustible construction. This appliance is manufactured for commercial installation only and is not intended for home use.



MODEL NO.	OVERALL DIMENSIONS			COOKING SURFACE DEPTH	GREASE DRAWER CAPACITY (Gals.)	APPROX. SHIP WT.
	WIDTH	DEPTH	HEIGHT*			
HEG24E	24" (610)	31.5" (800)	15.3" (389)	24" (610)	1.5	230 lbs / 104 kg
HEG36E	36" (914)				1.5	310 lbs / 141 kg
HEG48E	48" (1219)				1.5	400 lbs / 181 kg
HEG60E	60" (1524)				2 x 1.5	535 lbs / 243 kg
HEG72E	72" (1821)				2 x 1.5	610 lbs / 277 kg

(Dimensions in parenthesis are in millimeters)



a division of ITW Food Equipment Group LLC

P.O. Box 696 ■ Louisville, KY 40201 ■ Toll-free: 1-800-814-2028 ■ Local: 502-778-2791 ■ Quote & Order Fax: 1-800-444-0602

NOTE: In line with its policy to continually improve its products, Vulcan reserves the right to change materials and specifications without notice.