



WATERLOO

High Quality, Durable, and Innovative Water Solutions

Item# : _____ Qty : _____

Project : _____

Approval : _____

Date : _____



750PRAXF

Pre-Rinse Assembly with Riser, Hose, and Spray Valve

Features:

- Heavy-duty chrome-plated brass construction
- 18" riser, 44" hose, and 1.15 GPM spray valve
- Replace/upgrade a pre-rinse assembly, or convert a wall-mount faucet into a pre-rinse
- 180°F temperature rating
- Industry-leading 3 year warranty



Specifications:



Item	Hose Length	Riser Height	Faucet Type	Flow Rate	Max Water Temp
750PRAXF	44"	18"	Pre-Rinse	1.15 GPM	180°F

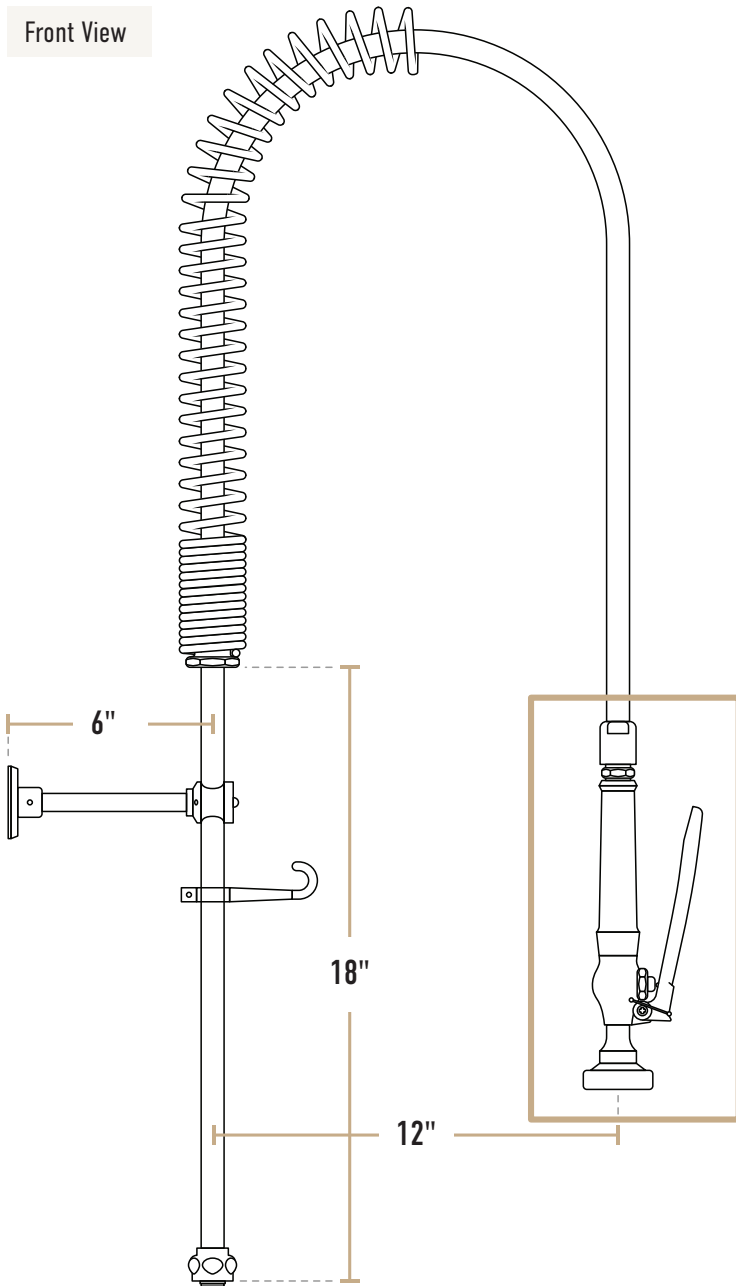
750PRAXF

Pre-Rinse Assembly with Riser, Hose, and Spray Valve

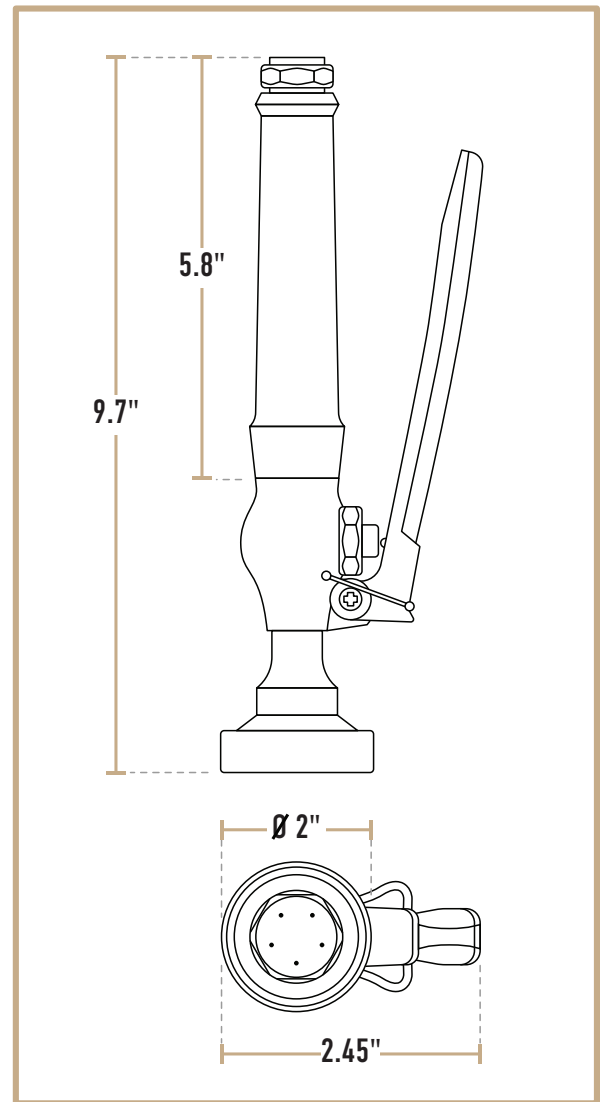


Technical Details:

Front View



Spray Valve



rev. 08/21



WATERLOO