



WATERLOO

High Quality, Durable, and Innovative Water Solutions

Item# : _____ Qty : _____

Project : _____

Approval : _____

Date : _____



750FW8

8" Center Wall Mount Faucets with Swing Spouts

Features:

- Heavy-duty chrome-plated brass construction
- Wall-mounted design with 8" centers
- 1/4 turn ceramic cartridges with check valves
- 180°F temperature rating
- Industry-leading 3 year warranty



Specifications:



Item	Faucet Type	Spout Length	Faucet Centers	Flow Rate	Max Water Temp	Mounting Style
750FW86	Swing Spout	6"	8"	2.0 GPM	180°F	Wall Mount
750FW88	Swing Spout	8"	8"	2.0 GPM	180°F	Wall Mount
750FW810	Swing Spout	10"	8"	2.0 GPM	180°F	Wall Mount
750FW812	Swing Spout	12"	8"	2.0 GPM	180°F	Wall Mount
750FW814	Swing Spout	14"	8"	2.0 GPM	180°F	Wall Mount
750FW816	Swing Spout	16"	8"	2.0 GPM	180°F	Wall Mount

750FW86

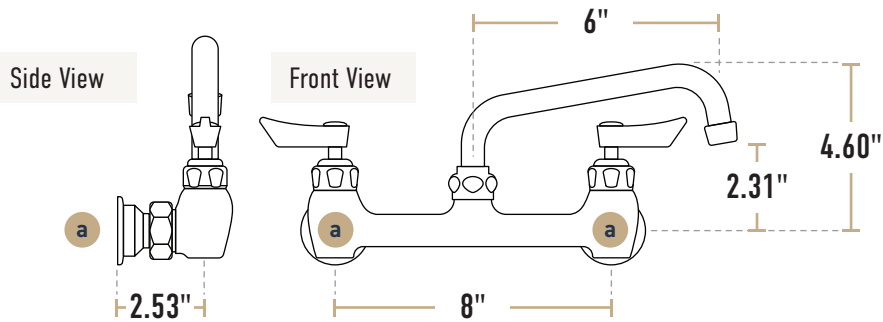
Wall Mount Faucet with 6" Swing Spout



Technical Details:

Connections

a (2) 1/2" NPT Inlets



750FW88

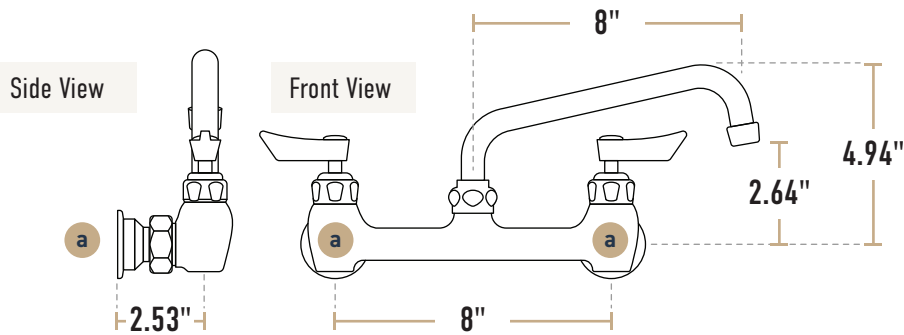
Wall Mount Faucet with 8" Swing Spout



Technical Details:

Connections

a (2) 1/2" NPT Inlets



750FW810

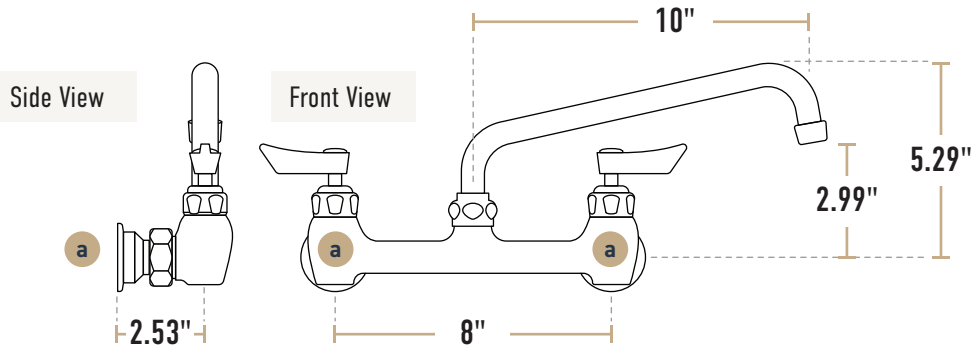
Wall Mount Faucet with 10" Swing Spout



Technical Details:

Connections

a (2) 1/2" NPT Inlets



rev. 04/21



WATERLOO

750FW812

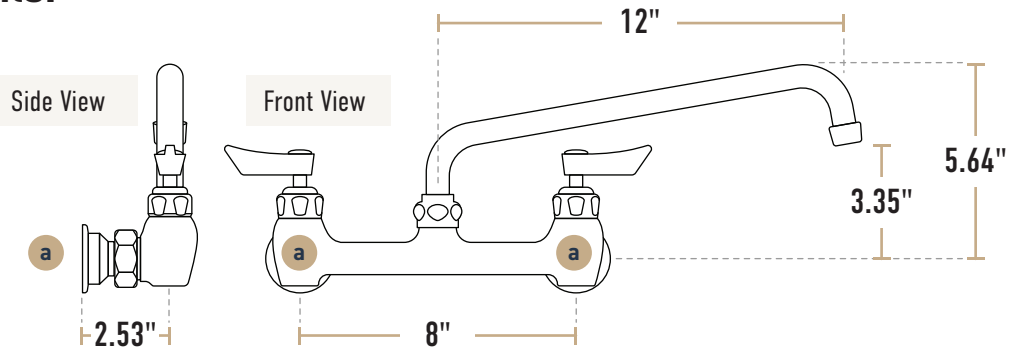
Wall Mount Faucet with 12" Swing Spout



Technical Details:

Connections

a (2) 1/2" NPT Inlets



750FW814

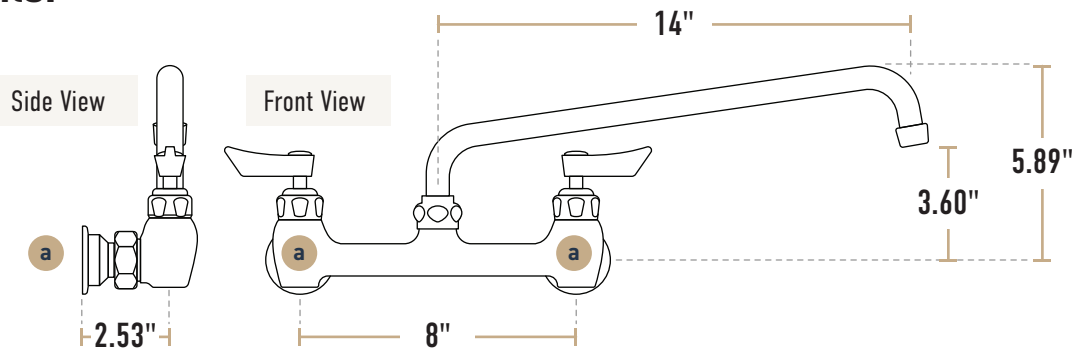
Wall Mount Faucet with 14" Swing Spout



Technical Details:

Connections

a (2) 1/2" NPT Inlets



750FW816

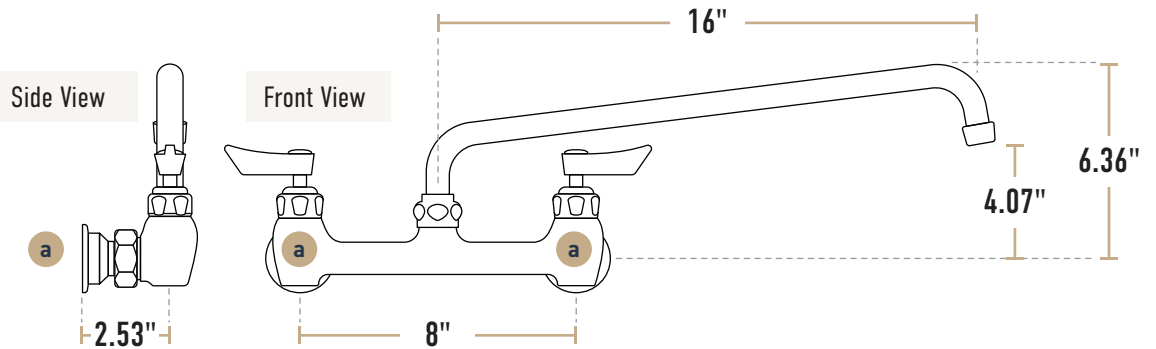
Wall Mount Faucet with 16" Swing Spout



Technical Details:

Connections

a (2) 1/2" NPT Inlets



rev. 04/21



WATERLOO