



WATERLOO

High Quality, Durable, and Innovative Water Solutions

Item# : _____ Qty : _____

Project : _____

Approval : _____

Date : _____

750AF

Pre-Rinse Add-On Faucets

Features:

- Heavy-duty chrome-plated brass construction
- Makes it easy to fill sink compartments and pails
- Attaches easily to pre-rinse riser assembly
- 180°F temperature rating
- Industry-leading 3 year warranty



Specifications:



Item	Faucet Type	Add-on Faucet Size	Flow Rate	Max Water Temp	Inlet	Top Connection
750AFX	Pre-Rinse Add-On	N/A	2.0 GPM	180°F	1/2" NPT	3/8" NPT Female
750AF6	Pre-Rinse Add-On	6" Swing Spout	2.0 GPM	180°F	1/2" NPT	3/8" NPT Female
750AF8	Pre-Rinse Add-On	8" Swing Spout	2.0 GPM	180°F	1/2" NPT	3/8" NPT Female
750AF12	Pre-Rinse Add-On	12" Swing Spout	2.0 GPM	180°F	1/2" NPT	3/8" NPT Female
750AF14	Pre-Rinse Add-On	14" Swing Spout	2.0 GPM	180°F	1/2" NPT	3/8" NPT Female
750AF16	Pre-Rinse Add-On	16" Swing Spout	2.0 GPM	180°F	1/2" NPT	3/8" NPT Female

750AF

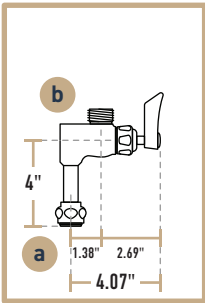
Pre-Rinse Add-on Faucets



Technical Details:

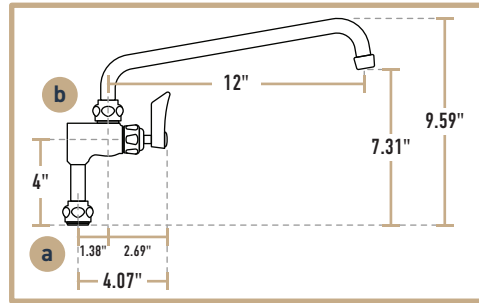
750AFX

Base



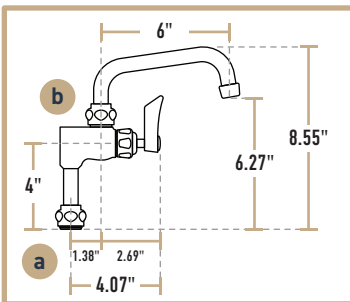
750AF12

with 12" Add-on Faucet



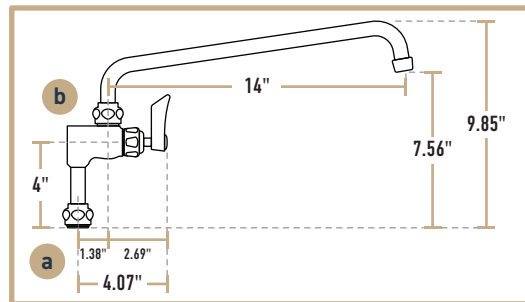
750AF6

with 6" Add-on Faucet



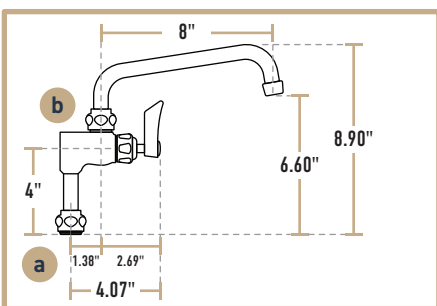
750AF14

with 14" Add-on Faucet



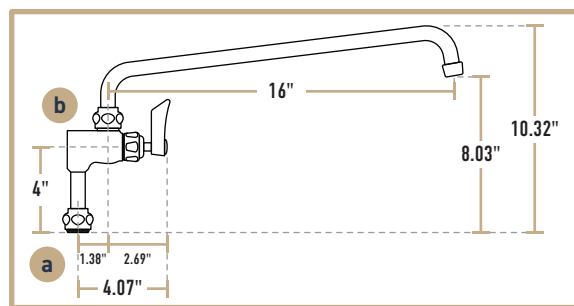
750AF8

with 8" Add-on Faucet



750AF16

with 16" Add-on Faucet



Connections

- a** 1/2" NPT Inlet
- b** 3/8" NPT Female Inlet

rev. 08/21



WATERLOO