

Harmony

ITEM NO: _____
 PROJECT: _____
 DATE: _____

Product Specifications

Non-Refrigerated Service Case



MODEL SHOWN: HMG5153

NOTE: SHOWN W/OPTIONAL GLASS SHELVES

- HMG2653
- HMG3953
- HMG5153
- HMG6353
- HMG7553

Lengths include end panels
 26-3/4"L x 34-1/8"D x 52-5/8"H
 38-3/4"L x 34-1/8"D x 52-5/8"H
 50-3/4"L x 34-1/8"D x 52-5/8"H
 62-5/8"L x 34-1/8"D x 52-5/8"H
 75-1/8"L x 34-1/8"D x 52-5/8"H

STANDARD FEATURES

- Curved single pane, lift-up front glass
- Flat front panel
- LED top & shelf lights
- One year parts & labor warranty
- Shelving removable and adjustable on 1" centers
- Upper & lower rear areas white

Features	Standard	Options
EXTERIOR COLOR	<input type="checkbox"/> Laminated (non-premium) Confirm pattern/grain direction	<input type="checkbox"/> Laminated (premium) Confirm pattern/grain direction <input type="checkbox"/> Stainless steel (includes rear of case)
INTERIOR COLOR	<input type="checkbox"/> Black	<input type="checkbox"/> Stainless steel <input type="checkbox"/> White
REAR EXTERIOR COLOR	<input type="checkbox"/> Painted - White	<input type="checkbox"/> Painted - Black <input type="checkbox"/> Stainless steel (w/stainless ext. only)
TRIM COLOR	<input type="checkbox"/> Black	<input type="checkbox"/> Silver
BASE	<input type="checkbox"/> Levelers	<input type="checkbox"/> 6"H legs <input type="checkbox"/> Casters
END PANEL LEFT	<input type="checkbox"/> Full end panel w/mirror interior	<input type="checkbox"/> Cutaway with glass - cases cannot be joined w/o end panels
END PANEL RIGHT	<input type="checkbox"/> Full end panel w/mirror interior	<input type="checkbox"/> Cutaway with glass - cases cannot be joined w/o end panels
UPPER REAR	<input type="checkbox"/> Clear glass rear sliding doors w/o lock (26" model swinging) (specify LH or RH hinge)	<input type="checkbox"/> Reflective glass rear sliding doors w/o lock (26" model swinging) (specify LH or RH hinge)
SHELVING	<input type="checkbox"/> Wire rack shelves, lighted	<input type="checkbox"/> Clear glass shelves, lighted
ELECTRICAL CONNECT	<input type="checkbox"/> 12" straight blade power cord	<input type="checkbox"/> 12" locking power cord <input type="checkbox"/> Electrical leads (non-refrigerated)
MISCELLANEOUS		<input type="checkbox"/> Front glass lock <input type="checkbox"/> Rear door lock <input type="checkbox"/> Second year parts & labor warranty
ACCESSORIES		<input type="checkbox"/> Price tag moulding (matches interior color)

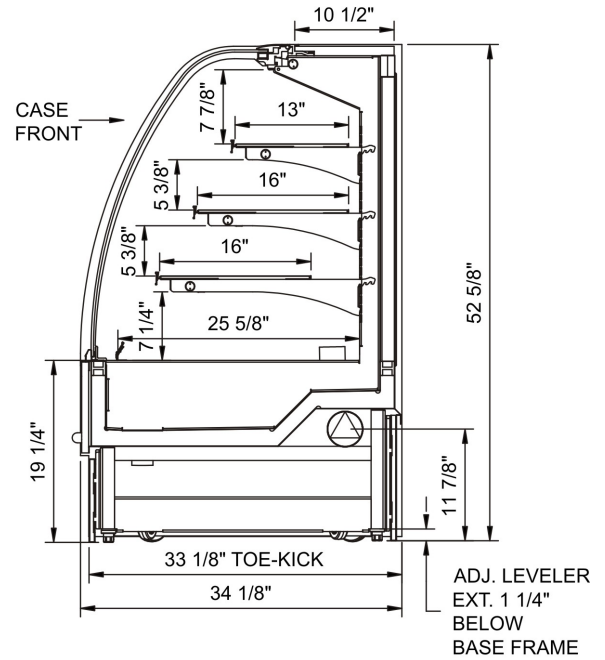
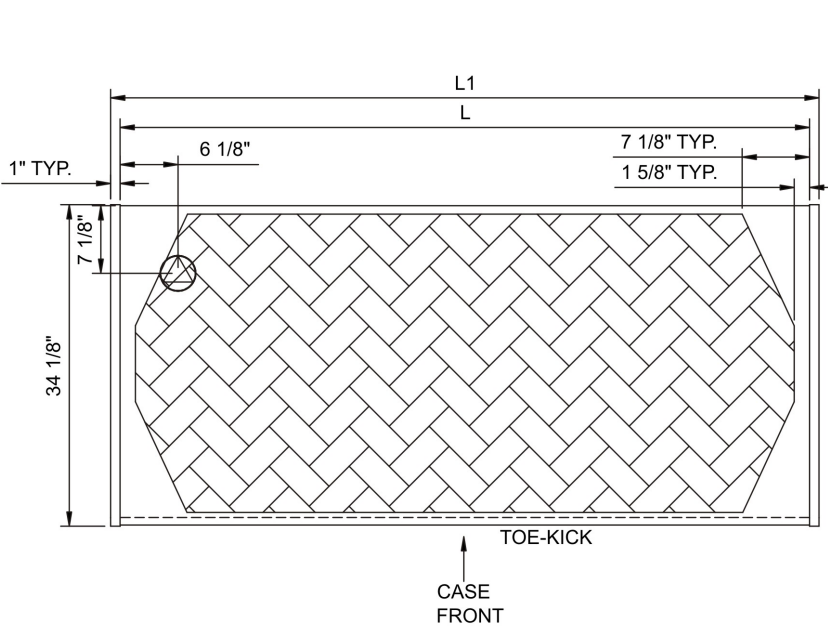
Harmony

Product Specifications

Intended Environment: Type I - Designed to operate in ambient conditions of 75°F with 55% relative humidity unless noted otherwise in system information below.	
Zone	Intended Product To Be Displayed
All	Unpackaged non-refrigerated products
Integrated Prod Temp ° F	
Ambient	

PLAN VIEW

SIDE VIEW



NOTE: ALL DIMENSIONS APPROXIMATE

- ELECTRICAL JUNCTION BOX (SUPPLIED WITH 6" LEADS OR POWER CORD).
- LOCATION OF DRAIN TUBE FOR REMOTE REF. ONLY (SUPPLIED WITH 3/4" OR 1 1/2" PVC TUBE).

- REFRIGERATION LINE CONNECTION.
- REMOTE FLOOR SINK & UTILITIES ACCESS AREA.

- SELF-CONTAINED CASE SERVICE ACCESS AREA.
- DRY CASE SERVICE ACCESS AREA.

Model Technical Specifications														
Model	L"	L1"	L2"	System	Circuit Volts	Phs	Freq	Amps ***	Watts	Wires	NEMA Plug	SST	BTUH	Est Wt
HMG2653	N/A	26.75	.00	Ambient	Circuit #1	110-120	1	60	0.57	66	2+G	N/A	N/A	800
HMG3953	N/A	38.75	.00	Ambient	Circuit #1	110-120	1	60	1.40	92	2+G	N/A	N/A	850
HMG5153	N/A	50.75	.00	Ambient	Circuit #1	110-120	1	60	2.09	121	2+G	N/A	N/A	950
HMG6353	N/A	62.63	.00	Ambient	Circuit #1	110-120	1	60	2.95	152	2+G	N/A	N/A	1,000
HMG7553	N/A	75.13	.00	Ambient	Circuit #1	110-120	1	60	3.38	190	2+G	N/A	N/A	1,250

*** Does not include electric defrost on freezer models.

Important Notes:

- 1) ELECTRICAL NOTE: If GFCI is required, a GFCI breaker MUST be used in lieu of a GFCI receptacle
- 2) 35" minimum door entry clearance required (without shipping skid).
- 3) Units are supplied with levelers. They must be adjusted during installation to ensure the unit is level and plumb.

Regulatory Approvals:

All Models ETL Listed to UL 65
ETL Sanitation to NSF 2

