

Product Specifications

Refrigerated Self-Service Case



MODELS SHOWN: CO47R-QS



- CO37R-QS
- CO47R-QS
- CO57R-QS
- CO67R-QS

Lengths include 1" end panels
 36-1/4"L x 33"D x 79-3/4"H
 47-1/4"L x 33"D x 79-3/4"H
 59-1/4"L x 33"D x 79-3/4"H
 71-1/4"L x 33"D x 79-3/4"H

STANDARD FEATURES

- Breeze~E (Type-II) w/ EnergyWise s/c refrigeration
- 4"D removable rear wall spacer (not included in depth dimension)
- 6' power cord (base exit)
- Compressor air front intake, rear discharge. Front panel cannot be blocked. Must remain 4" from wall
- Condensate pan (self-contained refig. only)
- Integrated average product temperature of 40°F or less
- LED 3500K top light(s)
- One year parts & labor; 5 year compressor warranty
- Removable deck pans provide complete access to evaporator coil & refrigeration connections
- Shelving removable and adjustable on 1" centers

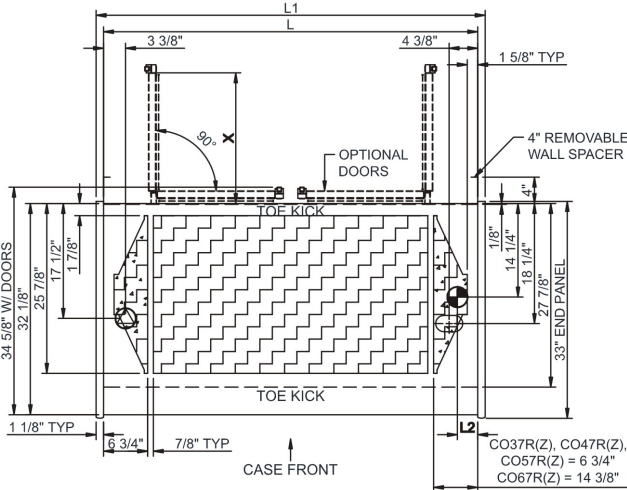
Features	Standard	Options
EXTERIOR COLOR	<input type="checkbox"/> Laminated (non-premium) Confirm pattern/grain direction	<input type="checkbox"/> Laminated (premium) Confirm pattern/grain direction
INTERIOR COLOR	<input type="checkbox"/> Black	
LWR PERFORATED FRNT PANEL	<input type="checkbox"/> Painted - Black	
BASE	<input type="checkbox"/> Casters	
END PANEL LEFT	<input type="checkbox"/> Full end panel w/mirror interior	
END PANEL RIGHT	<input type="checkbox"/> Full end panel w/mirror interior	
EXTERIOR BACK PANEL	<input type="checkbox"/> Solid back panel, black	
SHELVING	<input type="checkbox"/> Metal shelves, non-lighted	<input type="checkbox"/> Metal shelves, lighted (LED 3500K)
REFRIGERATION	<input type="checkbox"/> Breeze~E (Type-II) w/ EnergyWise s/c refrigeration	
MISCELLANEOUS		<input type="checkbox"/> Second year parts & labor warranty (excludes compressor)

Product Specifications

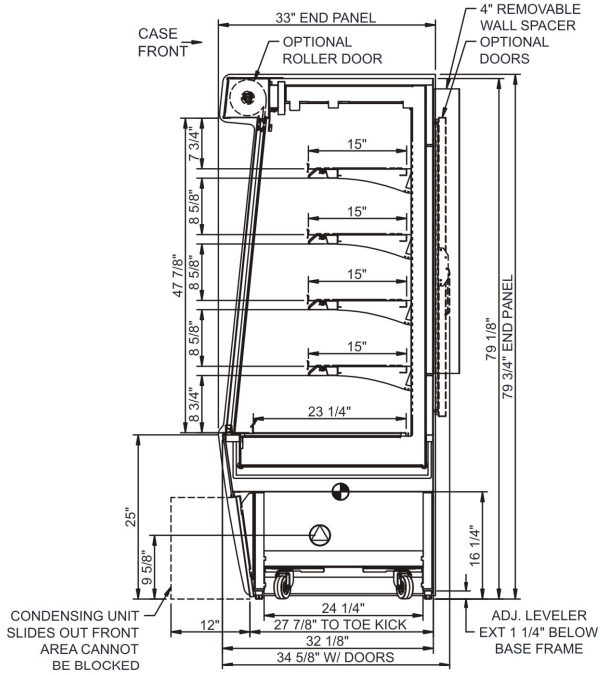
Intended Environment: Type II - Designed to operate in ambient conditions of 80°F and 60% relative humidity unless noted otherwise in system information below.		
Zone	Intended Product To Be Displayed	Warmest Avg Prod Temp ° F
1	Packaged refrigerated products	40

PLAN VIEW

SIDE VIEW



NOTE: CO37R(Z) - (X) = 30 1/8" - (1) DOOR LH HINGED
 CO47R(Z) - (X) = 19 3/4" - (2) DOORS RH & LH HINGED
 CO57R(Z) - (X) = 19 3/4" - (2) DOORS RH & LH HINGED
 CO67R(Z) - (X) = 30 1/8" - (2) DOORS RH & LH HINGED



CASE DEPTH	Solid Back	Rear Doors
Flat Front	33"	35 1/2"

NOTE: ALL DIMENSIONS APPROXIMATE

- ELECTRICAL JUNCTION BOX (SUPPLIED WITH 6" LEADS OR POWER CORD).
- REFRIGERATION LINE CONNECTION.
- SELF-CONTAINED CASE SERVICE ACCESS AREA.
- DRY CASE SERVICE ACCESS AREA.
- LOCATION OF DRAIN TUBE FOR REMOTE REF. ONLY (SUPPLIED WITH 3/4" OR 1 1/2" PVC TUBE).
- REMOTE FLOOR SINK & UTILITIES ACCESS AREA.

Model Technical Specifications

Model	L"	L1"	L2"	System	Circuit Volts	Phs	Freq	Amps ***	Watts	Wires	NEMA Plug	SST	Conv. Rack BTUH	Para. Rack BTUH	Est Wt
CO37R-QS	34.25	36.25	3.13	Self-Contained	Circuit #1 110-120	1	60	15.62	1,388	2+G	5-20P or L5-20P	N/A	N/A	N/A	1,100
CO47R-QS	45.25	47.25	3.13	Self-Contained	Circuit #1 208-240	1	60	9.85	1,750	2+G	6-20P or L6-20P	N/A	N/A	N/A	1,000
CO57R-QS	57.25	59.25	3.13	Self-Contained	Circuit #1 208-240	1	60	11.59	2,094	2+G	6-20P or L6-20P	N/A	N/A	N/A	1,100
CO67R-QS	69.25	71.25	3.13	Self-Contained	Circuit #1 208-240	1	60	15.31	2,901	2+G	6-20P or L6-20P	N/A	N/A	N/A	1,200

*** Does not include electric defrost on freezer models.

Important Notes:

- 1) ELECTRICAL NOTE: If GFCI is required, a GFCI breaker MUST be used in lieu of a GFCI receptacle
- 2) Performance issues (product temperatures, water on floor, etc.) caused by adverse conditions are not covered by warranty.
- 3) Keep unit at least 15' from exterior doors, overhead HVAC vents, or any air curtain disruption.
- 4) End panels must be tightly joined or kept at least 6" away from any structure to prevent condensation.
- 5) Do not expose unit to direct sunlight or any heat source (ovens, fryers, etc.).
- 6) Keep at least 8" of clearance above unit for air discharge (self-contained only).
- 7) Tile floors, low ceilings, or small rooms will increase noise level. Remote refrigeration recommended.

⚠ WARNING: This product can expose you to chemicals, including Urethane (Ethyl Carbamate), which are known to the State of California to cause cancer and birth defects or other reproductive harm. For more information go to www.P65Warnings.ca.gov.

Regulatory Approvals:

All Models	Accordance with AHRI Std 1200 ETL Listed to UL 471 ETL Listed to CAN/CSA 22.2 No. 120 ETL Sanitation to NSF 7
------------	--



In Accordance with
AHRI Std 1200

DOE 2017
Energy Efficiency
Compliant