



POLYJOHN®

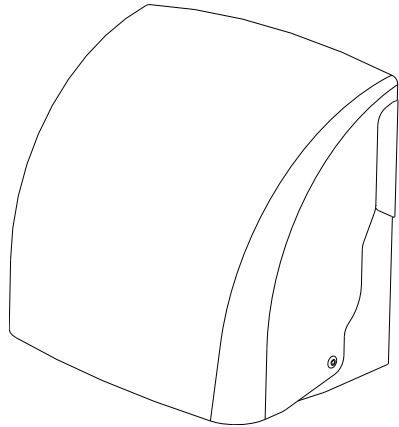
TD04-1000 PJ Paper Towel Dispenser Installation Instructions

General Overview

The TD04-1000 - PolyJohn Paper Towel Dispenser is an optional paper towel holder for either roll, or fold towels (single or multi-fold). Designed to fit most anywhere paper towels are needed. Shipped pre-assembled. Also included is the Small Parts Bag - TD04 - 0201 which contains all of the necessary fasteners for mounting the dispenser.

Specifications

Height	10 in	25.4 cm
Width	11 in	27.94 cm
Depth	7.5 in	19.05 cm
Weight	1.9 lb	0.86 kg



~~Tools Required for Installation~~

- Drill
- 13/64" Bit
- Rivet Gun

POLYJOHN USA

PolyJohn Enterprises Corp
2500 Gaspar Ave.
Whiting, IN 46394
Phone: 800-292-1305
Fax: 219-659-0625
www.polyjohn.com
info@polyjohn.com

POLYJOHN WORLDWIDE

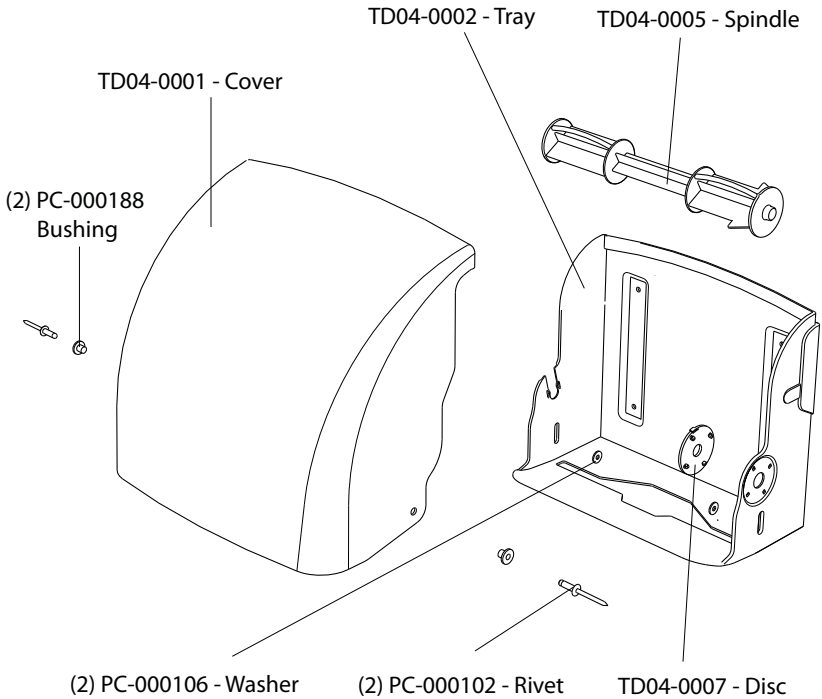
PolyJohn (UK) Ltd.
Equinox 1 Audby Lane
Wetherby, England LS22 7RD
Phone: 44 (0) 1937-583333
Fax: 44 (0) 1937-583322
sales@polyjohn.co.uk

POLYJOHN CANADA

Rama Plastics
P.O. Box 2300
199 Forest Plain Rd.
Orillia, Ontario LV3 6S2
Phone: 800-465-9590
Fax: 705-325-8250
info@ramaplastics.ca

TD04-1000 PJ Paper Towel Dispenser

Exploded View



Installation

Step 1: Open the Towel Dispenser (*see page 3 for instructions on "Opening the Paper Towel Dispenser"*).

Step 2: Place the dispenser in the location in which it will be mounted (*making sure to level*). Using a 13/64" bit, drill holes through the drill spots that are in the back of the dispenser and through to the location in which you are mounting the dispenser (*making sure to drill only into the mounting wall*).

Step 3: For installation where an outside wall is accessible, rivet the PJ Paper Towel Dispenser in place from the outside with (4) PC-000102 Rivets and (4) PC-000106 Washers on the inside. If installing in a location where the opposite side of the wall is not accessible (*such as an Applause sink, etc.*), rivet in place using (4) PC-000105 Rivets with (4) PC-000106 Washers behind the heads of the rivets.

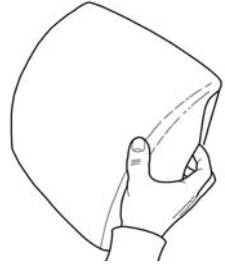
General Information

These dispensers are designed to accept towels that are no wider than 9-1/2" wide, whether using single, multi-fold, or a roll towel. The recommended towels are the *Georgia Pacific #23504 - single fold towel* or the *Baywest Ecosoft #46200 - roll towel*. **NOTE: The use of a roll towel complies with ADA requirements.**



Opening the Paper Towel Dispenser

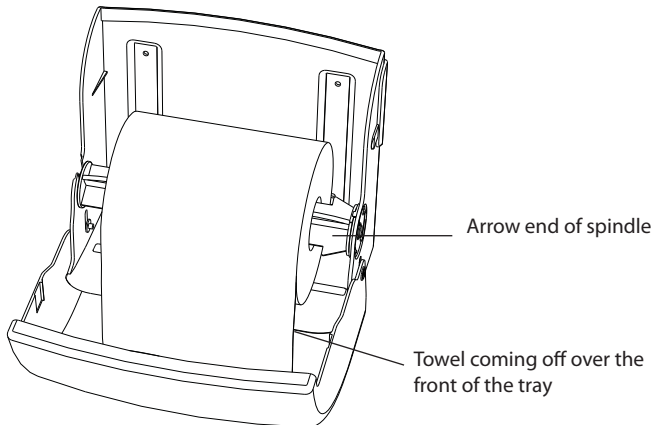
Position your hands on both sides of the dispenser cover (as shown). While pulling out on both sides lift up the cover and pull down towards yourself.



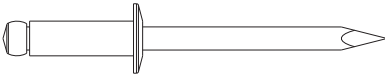
Filling the Dispenser

Filling with Fold Towels: Place the package of towels on the towel tray with the fold of the towel facing downward. Pull the first towel through the middle opening of the paper towel tray. Close the cover.

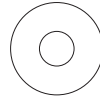
Filling with a Roll of Towels: Place the roll of towels on the spindle with the roll of towels coming off towards you with the arrow end of the spindle facing towards the right. Place the spindle into the right side of the dispenser first. Place the left side of the spindle into the groove on the left side of the dispenser and push down in place. Feed the roll of towels over the front of the paper towel tray. Close the cover.



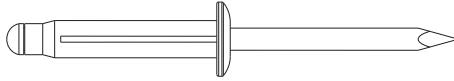
Full Size Scale Fasteners



(4) PC-000102 Rivet



(4) PC-000106 Washer



(4) PC-000105 Rivet

Cleaning and Maintenance

Use a mild soap to clean all surfaces and component parts.

For a source of cleaning, deodorizing and paper products contact:

**COOPER'S OWN
2500 GASPAR AVE.
WHITING, IN 46394-2175
800-292-1305
www.polyjohn.com/products/supplies/cooper-s-own**

We highly recommend membership in the Portable Sanitation Association International (PSAI); the worldwide authority on portable sanitation services. The PSAI, "Portable Sanitation Industry Certification Program" manual contains a wealth of information on standards and service procedures. For more information contact the PSAI:

PORTABLE SANITATION ASSOCIATION INTERNATIONAL (PSAI)
7800 METRO PARKWAY, SUITE 104
BLOOMINGTON, MINNESOTA 55425 USA
800-822-3020 / 612-854-8300 FAX 612-854-7560
www.pesai.org

MISSION STATEMENT

"PolyJohn is a family owned, state of the art, plastics manufacturing company dedicated to providing its employees with a work environment committed to excellence, and its customers with innovative products, services and technology that meet or exceed their requirements."

THANK YOU FOR PURCHASING POLYJOHN PRODUCTS!

Look for us on the Web @ www.PolyJohn.com