

# STAINLESS STEEL WORK TABLE WITH SINK & UNDERSHELF

ITEM #: \_\_\_\_\_ QUANTITY: \_\_\_\_\_

PROJECT: \_\_\_\_\_

APPROVAL: \_\_\_\_\_

DATE: \_\_\_\_\_



## FEATURES

- 16-gauge type 304 stainless steel top offers greater durability and corrosion-resistance than type 430
- 18 gauge type 430 stainless steel undershelf and hat channels
- Features a 12" deep stainless steel sink with a deck mounted faucet
- Convenient 5" backsplash protects posterior wall
- Stainless steel legs and sockets for maximum support
- Adjustable bullet feet



## SPECIFICATIONS

ITEM	LENGTH	WIDTH	WORK HEIGHT	TOTAL HEIGHT	BACKSPLASH HEIGHT	BOWL DEPTH	BOWL (F TO B)	BOWL (L TO R)	SINK SIDE
600ST3060LFT	60"	30"	35½"	40½"	5"	12"	20"	16"	Left

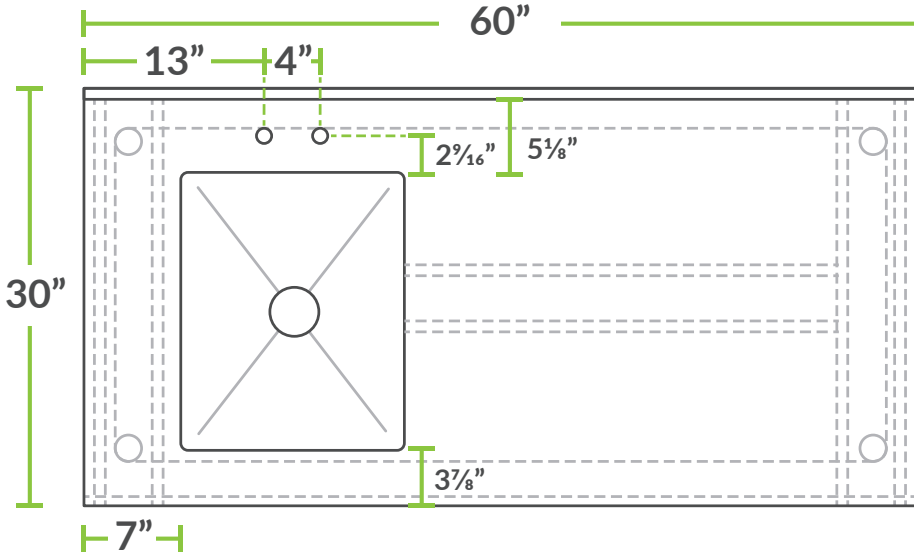
02/2019

REGENCYTABLESANDSINKS.COM

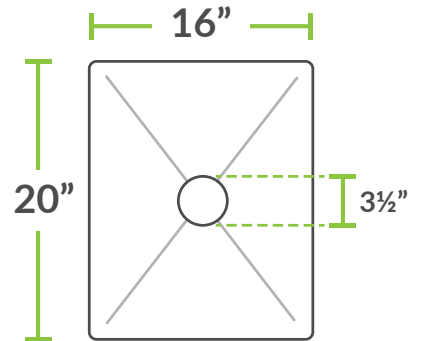
STAINLESS STEEL  
**WORK TABLE**  
 WITH SINK & UNDERSHELF



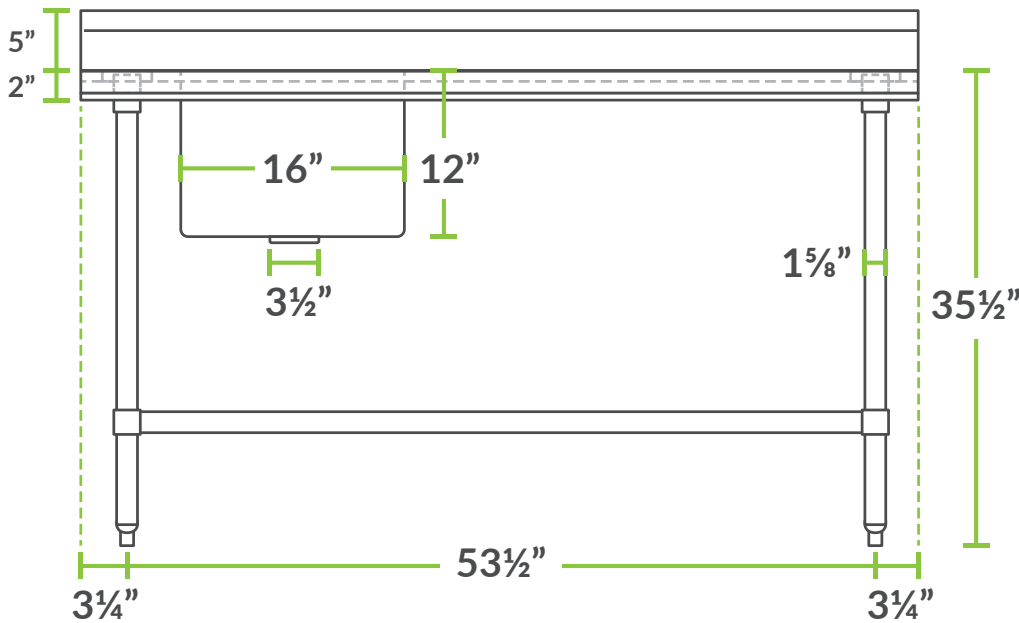
**TOP**



**BOWL**



**FRONT**



**SIDE**

