

18-GAUGE STAINLESS STEEL BLENDER STATION

ITEM #: _____ QUANTITY: _____

PROJECT: _____

APPROVAL: _____

DATE: _____



FEATURES

- Made of 18 gauge, 304 stainless steel
- 3" backsplash to protect the wall
- Recessed blender shelf with side splashes and a 1 1/2" grommet hole for blender power cords
- Galvanized legs with stainless steel gussets and plastic bullet feet

SPECIFICATIONS

18-GAUGE 304-SERIES STAINLESS STEEL STRUCTURE • OFFERED IN BOTH LEFT & RIGHT ORIENTATION

ITEM	OVERALL (LEFT TO RIGHT)	OVERALL (FRONT TO BACK)	OVERALL (HEIGHT)	BOWL (LEFT TO RIGHT)	BOWL (FRONT TO BACK)	BOWL DEPTH
600BSDS2612	12"	26"	33"	9"	9"	4"
600BSDS2618	18"	26"	33"	9"	9"	4"

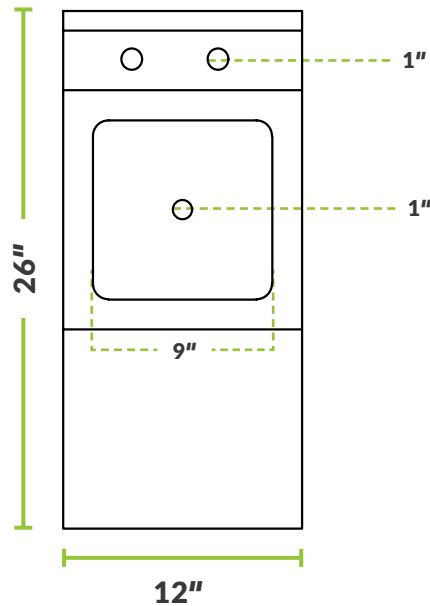
03/2021

18-GAUGE STAINLESS STEEL BLENDER STATION

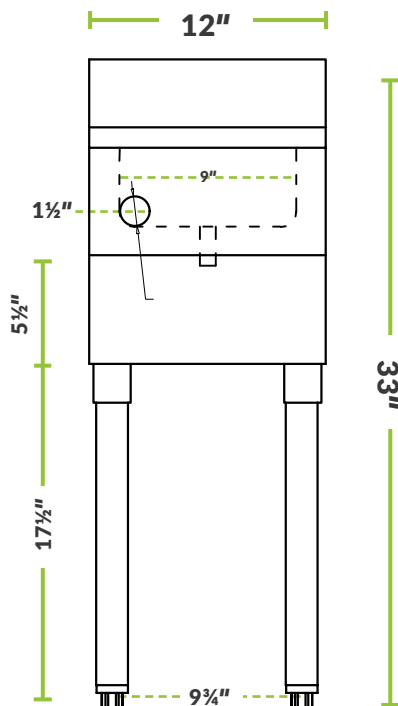
REGENCY
Tables and Sinks

600BSD52612 - 12" X 26" STAINLESS STEEL BLENDER STATION WITH DUMP SINK

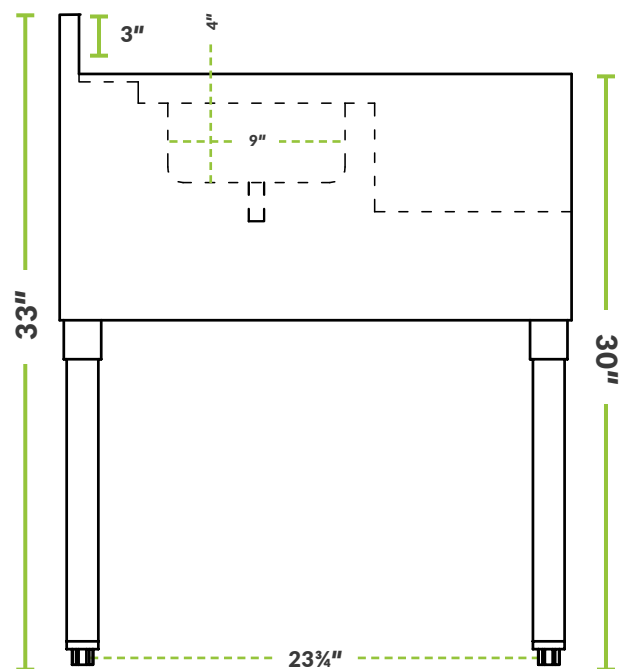
TOP



FRONT



SIDE

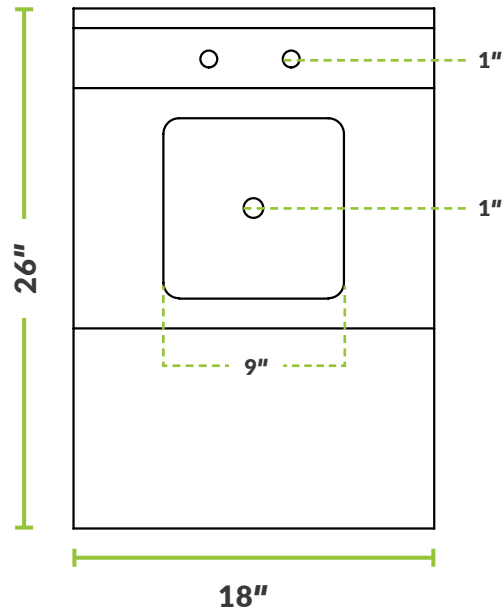


18-GAUGE STAINLESS STEEL BLENDER STATION

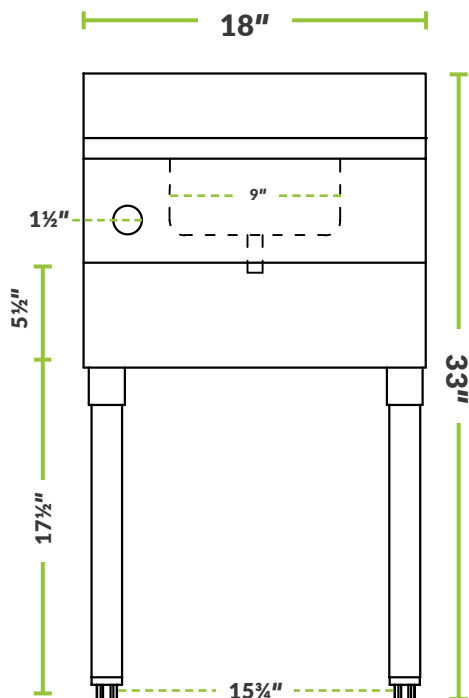
REGENCY
Tables and Sinks

600B5DS2612 - REGENCY 18" X 26" STAINLESS STEEL BLENDER STATION WITH DUMP SINK

TOP



FRONT



SIDE

