

NOR-LAKE, INCORPORATED  
 727 Second Street  
 Hudson, Wisconsin 54016

800-955-5253  
 715-386-2323  
 866-961-5253 Parts  
 800-388-5253 Service  
 715-386-4291 FAX  
 www.norlake.com



# NOVA™ PASS-THRU REFRIGERATORS



**PR806**

PROJECT:

.....

ITEM NUMBER:

.....

MODEL NUMBER:

.....

PASS-THRU REFRIGERATORS

## SPECIFICATIONS FOR: PR242, PR524, PR806

- **Exterior Finish:** Exterior front, sides and doors are stainless steel. Exterior top and bottom are galvanized steel. All exterior joints and seams fold in without lap joints. No exposed raw edges.
- **Interior Finish:** Interior liner and interior door panel are stainless steel
- **Insulation:** The complete cabinet and door(s) are foamed-in-place with polyurethane foam insulation
- **Hardware:** Heavy duty pivot hinges, centered key locks, horizontal work flow handles, self-adjusting magnetic gaskets, 4" dia. casters (4 casters (2 locking) on 1 and 2 door models and 6 casters (4 locking) standard on 3 door model). 3 epoxy-coated shelves per door
- **Electrical:** All models are standard with complete perimeter, anti-condensate door opening heater wires and an interior LED light activated by switches for each door.
- **Instrumentation:** Digital LED thermometer reading tenths of a degree F.
- **Refrigeration:** Complete top mounted refrigeration system. Copper tube, aluminum fin evaporator. The condensate is collected and automatically evaporated from a hot gas evaporator vaporizer. Refrigerant flow is controlled by a capillary tube. R-134a refrigerant. Operating temperature: +36°F.
- **Approvals:** UL, C-UL and UL Sanitation \*\*

## STANDARD FEATURES

- Air-cooled condensing unit
- Automatic condensate evaporation
- Automatic defrost
- Capillary tube system
- Casters
- Digital thermometer
- Door opening heaters
- Epoxy-coated shelves
- Field reversible doors
- Horizontal work flow handle
- Key locks
- Magnetic gasketing
- Operating temperature: +36°F
- Polyurethane foam insulation
- Recessed interior light
- Stainless steel interior
- Stainless steel exterior
- Stocked for same day shipment
- UL, C-UL & UL Sanitation listed \*\*
- Warranties: 3 year parts & labor, 5 year compressor

## OPTIONAL FEATURES\*

- Extra shelves
- Full door pan slides
- Full glass doors (one side)
- Half door pan slides
- Half glass doors (one side)
- Half solid doors
- Legs in lieu of casters
- Thermal expansion valve

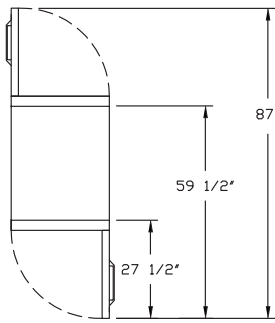


Nor-Lake, Inc.  
 Registered to ISO 9001:2008  
 File No. 10001816

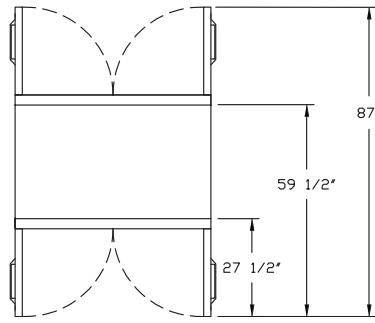
\* Most options are available two weeks from receipt of order. Please contact us for specific questions.

\*\* C-UL is Underwriters Laboratories Safety Certification Mark which indicates that UL has tested the equipment to applicable CSA Standards.

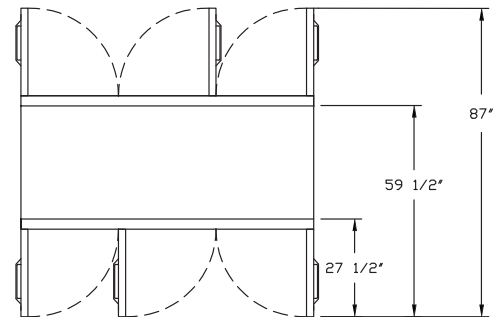
\*\* UL Sanitation is Underwriters Laboratories Sanitation Mark which indicates that UL has tested the equipment to applicable NSF Standards.



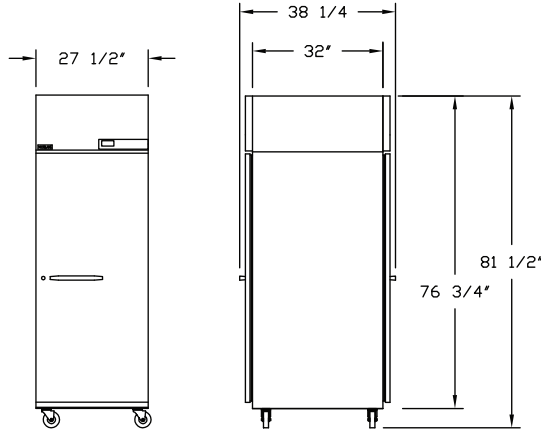
TOP VIEW  
PR242



TOP VIEW  
PR524

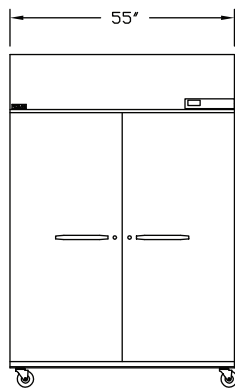


TOP VIEW  
PR806

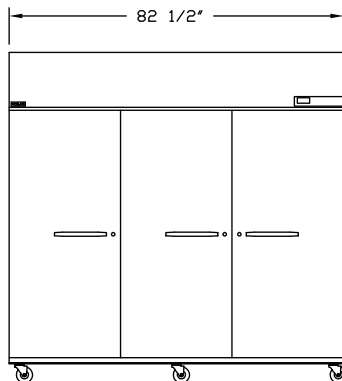


FRONT VIEW  
PR242

SIDE VIEW  
ALL MODELS



FRONT VIEW  
PR524



FRONT VIEW  
PR806

**SPECIFICATIONS**

Models	PR242	PR524	PR806
Crated Weight (lbs) (kg)	470 (212)	758 (341)	921 (414)
Crated Height (in) (cm)	81 (203)	81 (203)	81 (203)
Crated Width (in) (cm)	31 (78)	59 (148)	86 (215)
Crated Depth (in) (cm)	38 (95)	38 (95)	38 (95)
Interior Height (in) (cm)	59 (148)	59 (148)	59 (148)
Interior Width (in) (cm)	23-1/2 (59)	51 (128)	78-1/2 (196)
Interior Depth (in) (cm)	32 (80)	32 (80)	32 (80)
Overall Height (in) (cm)	81-1/2 (204)	81-1/2 (204)	81-1/2 (204)
Overall Width (in) (cm)	27-1/2 (69)	55 (138)	82-1/2 (206)
Overall Depth (in) (cm)	38-1/4 (96)	38-1/4 (96)	38-1/4 (96)
Gross Cubage (CuFt) (L)	25.6	55.7	85.8
Number of Shelves	3	6	9
Shelf Area (SqFt) (Sqm)	12.8 (1.18)	28.6 (2.6)	42.84 (3.94)
Number of Casters	4	4	6
Condensing Unit Size	1/3 HP	1/2 HP	3/4 HP
Refrigerant	R-134a	R-134a	R-134a
Electrical Characteristics	115/60/1	115/60/1	115/60/1
Cord and Plug Furnished	Yes	Yes	Yes
NEMA Plug Configuration	5-15P	5-15P	5-15P
Total Amp Draw	8.6	9.6	10.4

Specifications subject to change without notice.



Revision Date: 07/15  
© 2015 NOR-LAKE, INC.  
Printed in the USA  
Part Number: 040343