



T&S BRASS AND BRONZE WORKS, INC.
 2 Saddleback Cove / P.O. Box 1088
 Travelers Rest, SC 29690

Model No.
HG-4F-48SEL-FF

Item No.

Travelers Rest, SC: 800-476-4103 • Simi Valley, CA: 800-423-0150 • Fax: 864-834-3518 • www.tsbrass.com

This Space for Architect/Engineer Approval

Job Name _____ Date _____

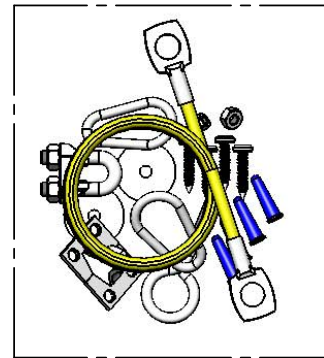
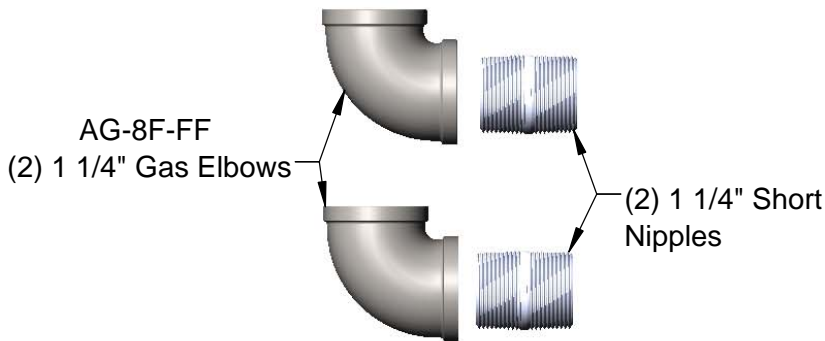
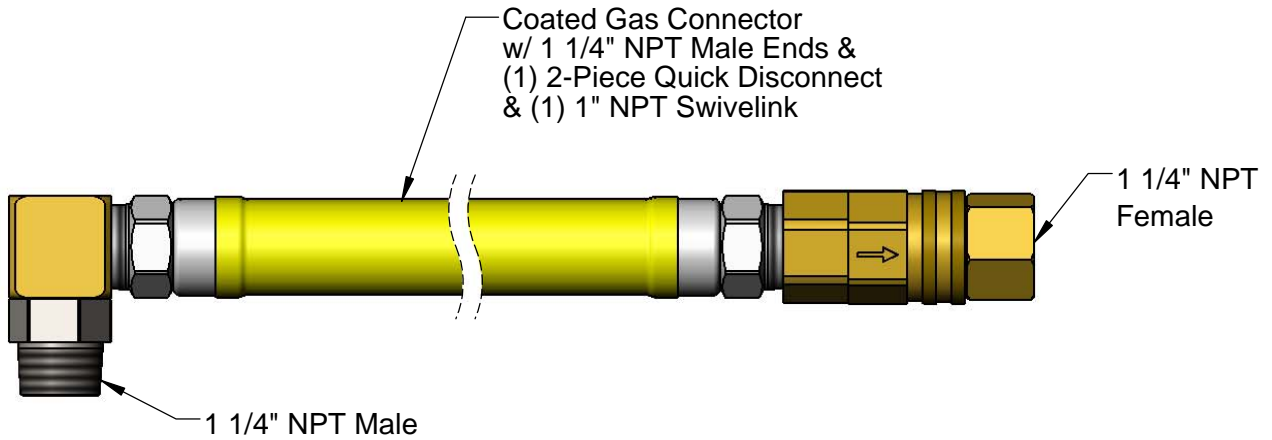
Model Specified _____ Quantity _____

Customer/Wholesaler _____

Contractor _____

Architect/Engineer _____

SAFE-T-LINK



AG-RC
 Restraining Cable Kit

Product Specifications:
 Safe-T-Link Gas Appliance Connector: 48" Coated Hose w/ 1 1/4" NPT Male Ends, Swivelink, 2-Piece Quick Disconnect, (2) 1 1/4" Gas Elbows & 5' Restaining Cable Kit

Product Compliance:
 ANSI Z21.69 / CSA 6.16
 NSF 2
 NFPA 54