



**T&S BRASS AND BRONZE WORKS, INC.**  
 2 Saddleback Cove / P.O. Box 1088  
 Travelers Rest, SC 29690

Model No.  
**HG-4-SK-FF Series**

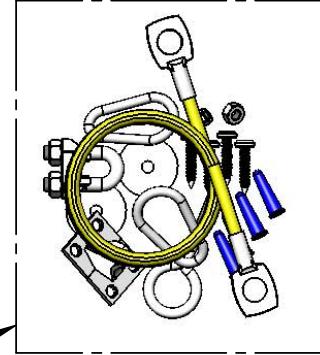
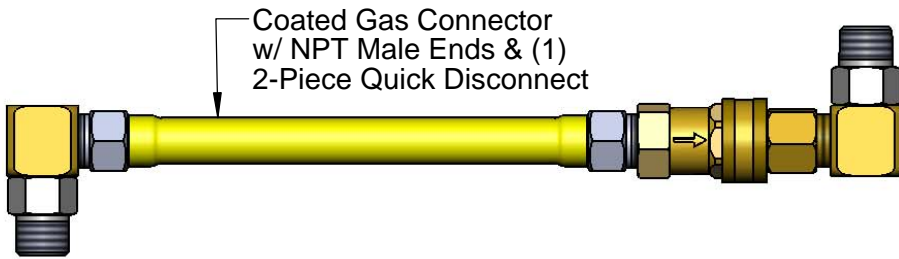
Item No.

Travelers Rest, SC: 800-476-4103 • Simi Valley, CA: 800-423-0150 • Fax: 864-834-3518 • www.tsbrass.com

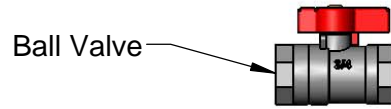
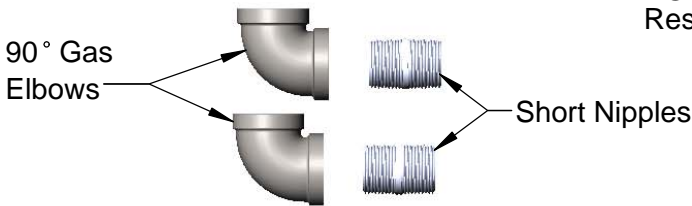
This Space for Architect/Engineer Approval

Job Name \_\_\_\_\_ Date \_\_\_\_\_  
 Model Specified \_\_\_\_\_ Quantity \_\_\_\_\_  
 Customer/Wholesaler \_\_\_\_\_  
 Contractor \_\_\_\_\_  
 Architect/Engineer \_\_\_\_\_

# SAFE-T-LINK



AG-RC Restraining Cable Kit



Ball Valve

| "L" = Length | 1/2" NPT      |
|--------------|---------------|
| 48"          | HG-4C-48SK-FF |

| "L" = Length | 3/4" NPT      |
|--------------|---------------|
| 36"          | HG-4D-36SK-FF |
| 72"          | HG-4D-72SK-FF |

| "L" = Length | 1" NPT        |
|--------------|---------------|
| 36"          | HG-4E-36SK-FF |
| 48"          | HG-4E-48SK-FF |

| "L" = Length | 1 1/4" NPT    |
|--------------|---------------|
| 36"          | HG-4F-36SK-FF |
| 48"          | HG-4F-48SK-FF |

**HG-4-SK Series Product Configurator: HG - 4  -  SK - FF**

Ex: HG - 4  -  SK

Gas Hose, 3/4" NPT Male Ends, 36" Length, (1) 2-Piece Quick Disconnect, (1) 90° Gas Elbow, (1) Short Nipple, (2) Swivel Links, (1) Restraining Cable Kit

**Product Specifications:**

Safe-T-Link Gas Appliance Connector: Coated Hose w/ NPT Male Ends, Swivel Links, 2-Piece Quick Disconnect, (2) 90° Gas Elbows, (2) Short Nipples, Ball Valve & Restraining Cable Kit

**Product Compliance:**

ANSI Z21.69 / CSA 6.16  
 NSF 2  
 NFPA 54