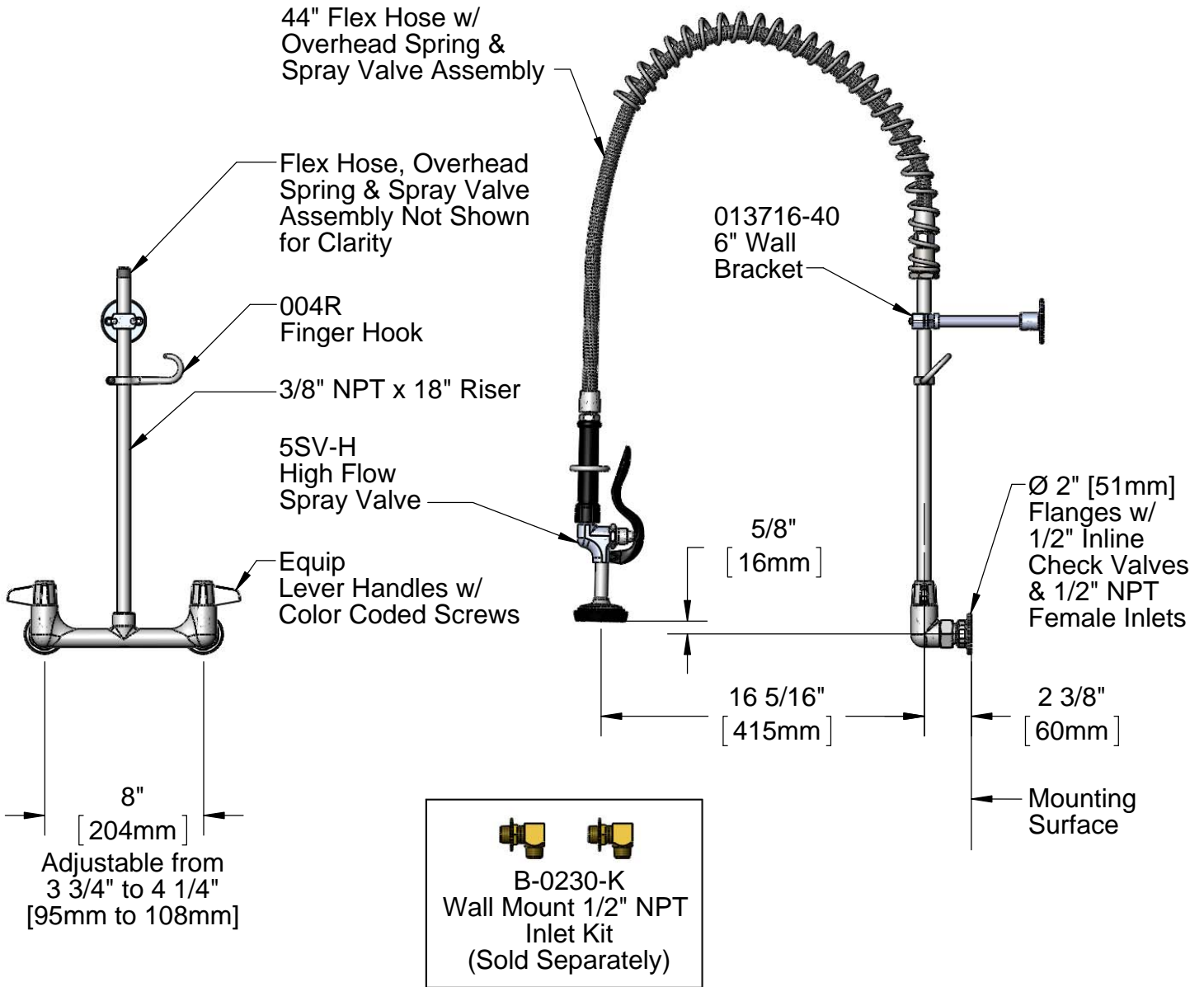


This Space for Architect/Engineer Approval

EPAct 2005 Non-Compliant

Job Name _____ Date _____
 Model Specified _____ Quantity _____
 Customer/Wholesaler _____
 Contractor _____
 Architect/Engineer _____



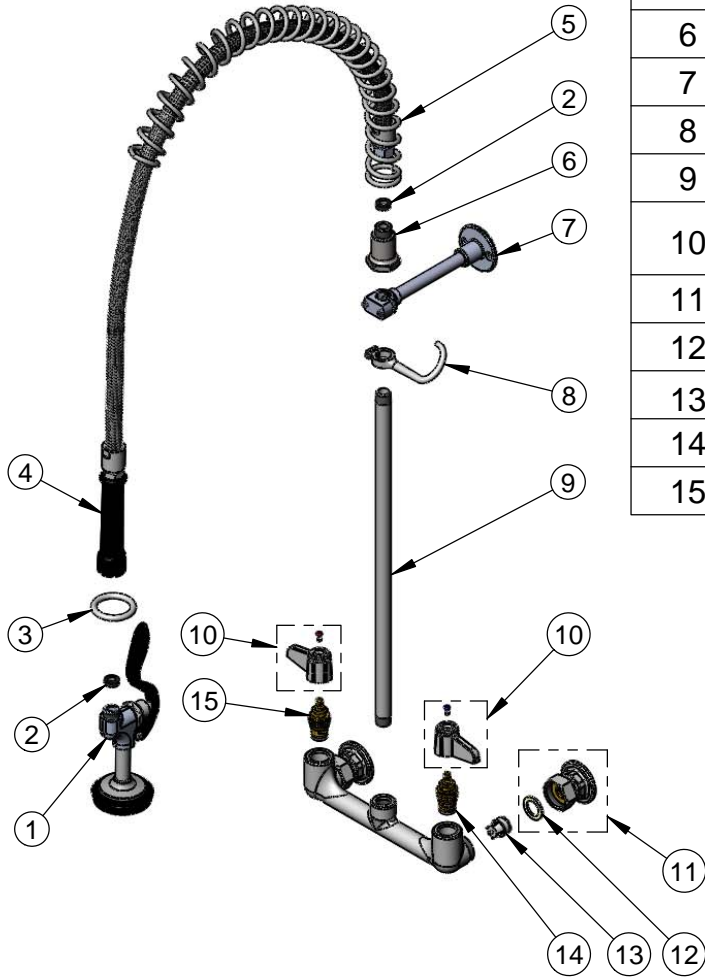
Model Number 5PR-8W00-H	Date 01/20/12	Scale 1:8	Drawn DHL	Checked KJG	Approved JHB
-----------------------------------	-------------------------	---------------------	---------------------	-----------------------	------------------------



Product Specifications:
 Pre-Rinse Unit: 8" c/c Wall Mount Mixing Faucet w/ 6" Wall Bracket, 5SV-H High Flow Spray Valve, 1/2" In-Line Check Valves & 1/2" NPT Flange Inlets

equip Foodservice Accessories
 2 Saddleback Cove, P.O. Box 1088
 Travelers Rest, South Carolina 29690
 Phone: 800.891.4808 Fax: 800.868.0084

ITEM NO.	SALES NO.	DESCRIPTION
1	5SV-H	High Flow Spray Valve Assembly
2	010476-45	#27 Washer
3	000907-45	Spray Valve Hold Down Ring
4	5HSE44	44" Flex Hose Assembly (Includes Washer)
5	014068-45	Overhead Spring
6	000821-40	Spring Body
7	013716-40	6" Wall Bracket Assembly
8	004R	Finger Hook Assembly
9	000369-40	3/8" NPT x 18" Long Riser
10	5-HDL-L	Lever Handle (Includes Blue & Red Screws)
11	00AA	1/2" NPT Inlet Flange
12	001019-45	Coupling Nut Washer
13	013840-45	20mm Check Valve
14	013788-45	equip Ceramic Cartridge (LTC)
15	013787-45	equip Ceramic Cartridge (RTC)



Model Number 5PR-8W00-H	Date 01/20/12	Scale NTS	Drawn DHL	Checked KJG	Approved JHB
----------------------------	------------------	--------------	--------------	----------------	-----------------



Product Specifications:
 Pre-Rinse Unit: 8" c/c Wall Mount Mixing Faucet w/ 6" Wall Bracket, 5SV-H High Flow Spray Valve, 1/2" In-Line Check Valves & 1/2" NPT Flange Inlets

equip Foodservice Accessories
 2 Saddleback Cove, P.O. Box 1088
 Travelers Rest, South Carolina 29690
 Phone: 800.891.4808 Fax: 800.868.0084