

6"
[152mm]



ADA Compliant

This Space for Architect/Engineer Approval

Job Name _____ Date _____

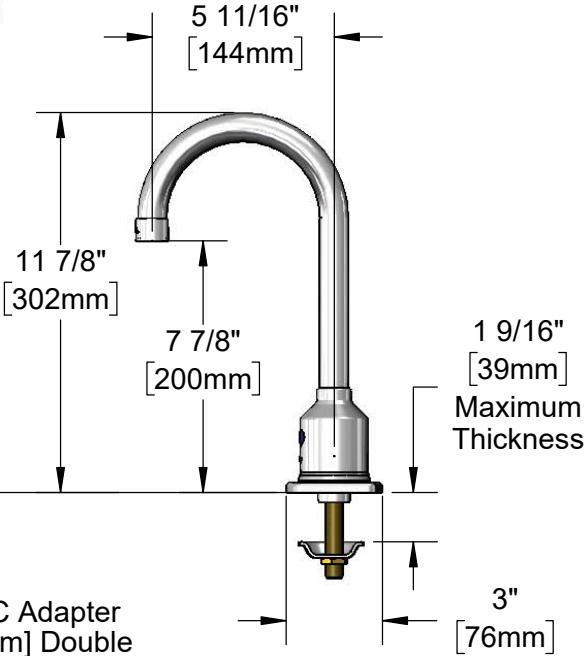
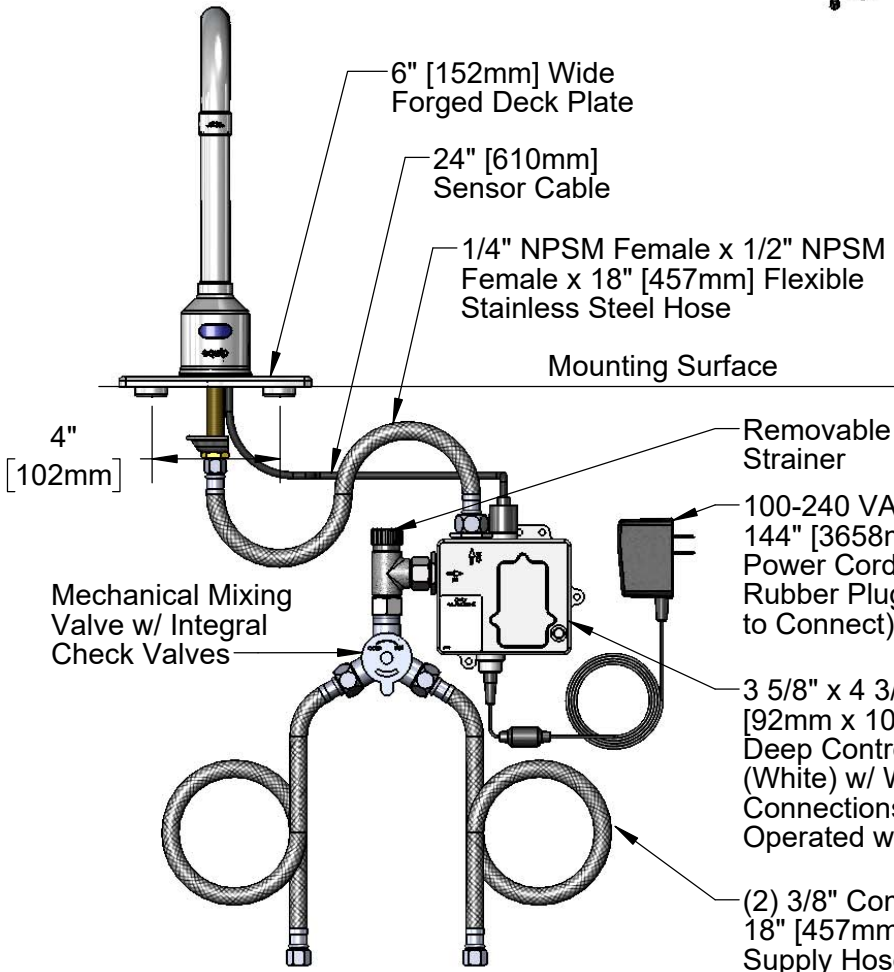
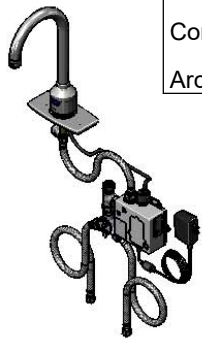
Model Specified _____ Quantity _____

Customer/Wholesaler _____

Contractor _____

Architect/Engineer _____

Rigid Gooseneck w/
B-0199-06-WS
1.5 GPM Vandal
Resistant Aerator & Key



Rough-In Requirement:
Ø 1" [25mm] Mounting Hole

Model Number
5EF-1D-DG-4DPWS

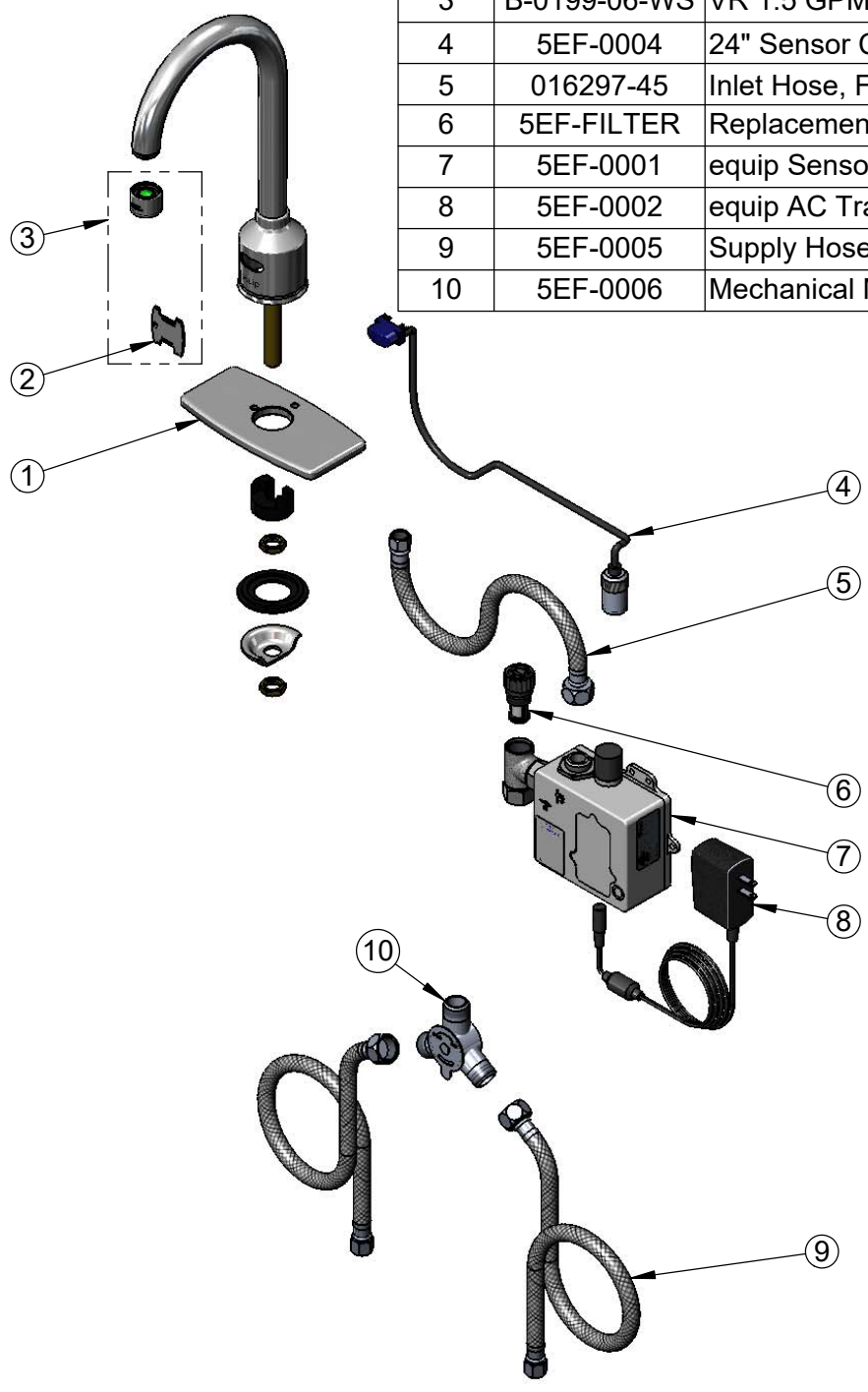
Product Compliance:
ASME A112.18.1 / CSA B125.1
NSF 61 - Section 9
NSF 372 (Low Lead Content)
ANSI A117.1 (ADA)
UL 1951

Product Specifications:
Electronic Faucet: Deck Mount, Rigid Gooseneck, VR 1.5 GPM Aerator, AC-DC Control Module, Temperature Control Mixing Valve, Integral Check Valves, 4" c/c Deck Plate & (2) 18" Flexible Supply Hoses

equip
Foodservice
Accessories

2 Saddleback Cove, P.O. Box 1088
Travelers Rest, South Carolina 29690
Phone: 800.891.4808 Fax: 800.868.0084
equip.tsbrass.com

ITEM NO.	SALES NO.	DESCRIPTION
1	013433-40	4" c/c Forged Deck Plate
2	015425-45	Vandal Resistant Key
3	B-0199-06-WS	VR 1.5 GPM Aerator, 55/64-27 UN Female w/ Key
4	5EF-0004	24" Sensor Cable
5	016297-45	Inlet Hose, Faucet, 1/2" NPSM-F x 1/4" NPSM-F
6	5EF-FILTER	Replacement Filter
7	5EF-0001	equip Sensor Faucet - Control Module
8	5EF-0002	equip AC Transformer, 100-240 VAC
9	5EF-0005	Supply Hose, 9/16-24 Female x 1/2" NPSM
10	5EF-0006	Mechanical Mixing Valve



Model Number
5EF-1D-DG-4DPWS

Product Compliance:
ASME A112.18.1 / CSA B125.1
NSF 61 - Section 9
NSF 372 (Low Lead Content)
ANSI A117.1 (ADA)
UL 1951

Product Specifications:
Electronic Faucet: Deck Mount, Rigid Gooseneck, VR 1.5 GPM Aerator, AC-DC Control Module, Temperature Control Mixing Valve, Integral Check Valves, 4" c/c Deck Plate & (2) 18" Flexible Supply Hoses

equip
Foodservice
Accessories



2 Saddleback Cove, P.O. Box 1088
Travelers Rest, South Carolina 29690
Phone: 800.891.4808 Fax: 800.868.0084
equip.tsbrass.com