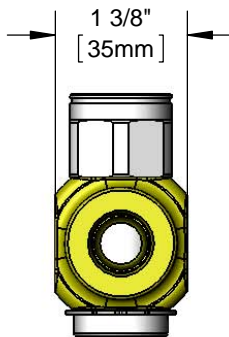
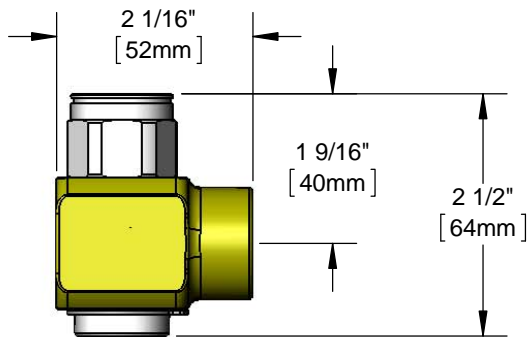
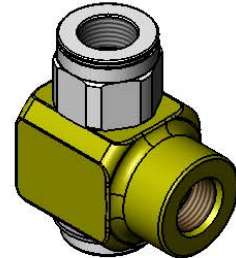




**Architect/Engineering Specifications:**

3/8" NPT x 50' hose reel swivel kit.

Job Name \_\_\_\_\_  
 Model Specified \_\_\_\_\_ Quantity \_\_\_\_\_  
 Variations Specified \_\_\_\_\_  
 Date \_\_\_\_\_



**Features & Benefits:**

- 3/8" NPT x 50' hose reel swivel kit
- Material: Brass & stainless steel

**Product Compliance:**

- N/A

**Warranty:** One Year (Limited)

**Performance Data:**

- N/A

