

Ice/Beverage Series 1020C Remote Ice Cube Machine

with Patented CVD Technology®

Model

IBT1020C



An Ice Machine Designed Specifically for Beverage Dispensers



Ice/Beverage Series 1020C ice machine - 115V
Servend SV-250 beverage dispenser
An "NSF Listed" Ice/Beverage Dispenser Combination



CVD Condensing Unit - 208-230V

QuietQube ice machine with CVD condensing unit is designed as a Manitowoc system and cannot be used with any other ice machine or remote condenser brand.

Standard Features

IB Series QuietQube® Remote System consists of a remote condensing unit, interconnecting refrigerant lines, ice machine head section along with a countertop dispenser, or ice storage bin. All ordered separately.

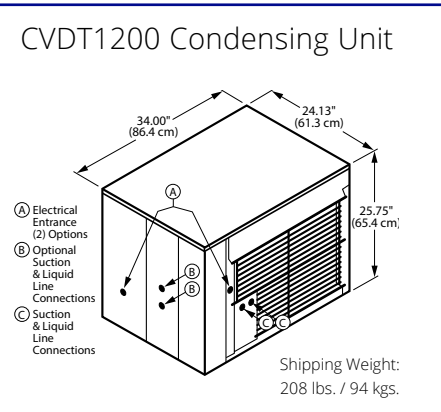
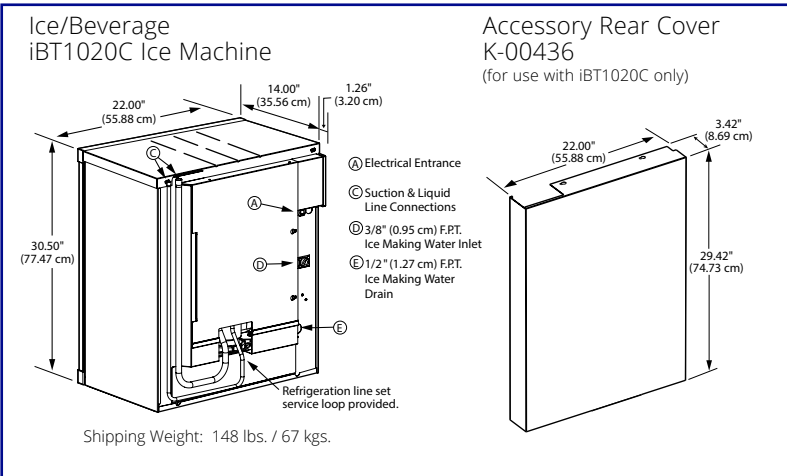
- **Space-Saving Design** - up to 1150 lbs. (522 kgs.) daily ice production in narrow 22" footprint eases sanitation procedures for the ice storage area and beverage valves.
- Also allows for convenient manual loading of ice in dispenser to satisfy peak ice usage.
- Can be installed or retrofitted to virtually any commercial beverage dispenser.
- Only 14" (35.56 cm) deep, 22" (55.88 cm) wide, and 30.5" (77.50 cm) high.
- **Quiet Operation** - eliminates most noise from the refrigeration system. Promotes a relaxing atmosphere.
- **easyTouch Display** - New icon based touch screen takes the guess work out of owning and operating an ice machine.
- **Programmable Ice Production** - Now its super easy to program your ice machine to be off at certain times of the day to save money with fluctuating electrical rates. Also programmable by daily ice production volume.
- **Easy to Clean Foodzone** - Lift off front door for easy access. Removable water-trough, distribution tube, curtain, water probe and water pump for fast and efficient cleaning. Selected components are made with AlphaSan® antimicrobial.
- **Intelligent Diagnostics** - Provides 24 hour preventative maintenance and diagnostic feedback for trouble free operation.
- **Acoustical Ice Sensing Probe** - Unique patented technology allows for reliable operation in challenging water conditions and environments.
- **DuraTech® Exterior** - Provides superior corrosion resistant above stainless steel. Stainless finish with innovative clear-coat resists fingerprints and dirt making it easier to keep clean.
- Available **LuminIce® II Growth Inhibitor** Control the growth of bacteria and yeast within the Food zone keeping the machine cleaner longer. A NEW indicator in the display keep you abreast of the operation status.

Ice Shape



Half Dice
3/8" x 1 1/8" x 7/8"
(.95 x 2.86 x 2.22 cm)





Ice Machine Electric

Specifications

Operating Limits:

- Ambient Temperature Range: 40° to 110°F (4.4° to 43.4°C)
- Water Temperature Range: 40° to 90°F (4.4° to 32.2°C)
- Water Pressure Ice Maker Water In: Min. 20 psi (137.9 kPa) / Max. 80 psi (551.1 kPa)

Refrigerant: R-410A

115/60/1 standard.
Total Amps: 1.2
Max. fuse size: 15 amps
 HACR-type circuit breakers can be used in place of fuses.

208-230/60/1 standard. 208-230/60/3
 HACR-type circuit breakers can be used in place of fuses.

Min. circuit ampacity:
 14.8 1ph 9.3 3ph

Max. fuse size:
 25 amps 1ph 15 amps 3ph

HACR-type circuit breakers can be used in place of fuses.

Remote Air-cooled Ice Machine

Model	Ice Shape	Ice production 24 hours		Power kWh/ 100 lbs @ 90°Air/70°F*	Potable Water Usage/ 100 lbs. of Ice*	ENERGY STAR®
		70°Air/50°F Water	90°Air/70°F Water*			
iBT1020C	half-dice	1150 lbs.	1000 lbs.	4.50	19.9 gal.	H
		522 kgs.	454 kgs.			

AHRI CERTIFIED *Ratings Certified in Accordance with AHRI Standard 810.
 Ice machine for use with ice dispenser, CVD condensing unit and dispenser adapter. All ordered separately.
 kWh per 100 lbs. is total power of ice machine and condensing unit. Ice machine is 1 ph only. Condensing unit available in 208-230v/60hz 1ph and 3 ph

Model	Line Length		Weight	
	ft.	m.	lbs.	kgs.
RC-21	20	6	12	5
RC-31	30	9	17	9
RC-51	50	15	27	13



BTU Per Hour:
 16,200 (Average) 19,100 (peak)

Compressor:
 Nominal rating: 1.75 HP

Operating Limits:

- Ambient Temperature Range: -20° to 120° F (-29° to 48.9° C)

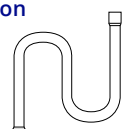
Installation Information and Dimensions:

Maximum Line Length
 —100' (30.5 m).*

Maximum Vertical Rise*
 —35' (10.7 m) above ice machine.

Maximum Vertical Drop
 —15' (4.5 m) below ice machine.

*A rise over 20' (6 m) requires S-Trap Kit K-00172 - ordered separately.



Accessories

LuminCell™ Growth Inhibitor
 reduces yeast and bacteria growth for a cleaner ice machine.

Arctic Pure® Water Filters
 Reduces sediment and chlorine odors for better tasting ice.

AuCS®
 schedules and performs routine ice machine cleaning automatically.

Welbilt reserves the right to make changes to the design or specifications without prior notice.