

Heavy Duty A/V Cart

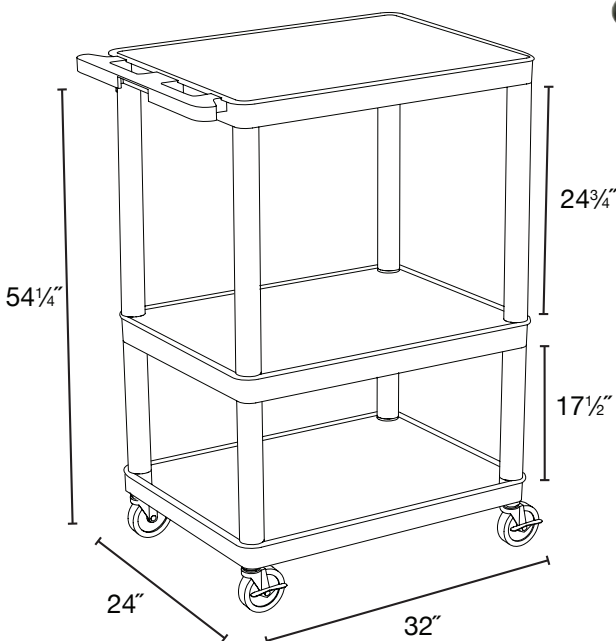


LP54E-B
32"W x 24"D x 54¼"H



LP54CE-B
32"W x 24"D x 54¼"H

**MADE IN
USA**



- Multipurpose utility cart perfect for use with audio/video equipment and more
- Measures 32"W x 24"D x 54¼"H
- .25" retaining lip borders flat shelves to ensure minimal sliding
- Includes locking cabinet made from 20-gauge steel with powder coat paint finish, full piano door hinges with a set of two keys
- Cabinet inner dimensions measure 23¼"W x 16¾"D x 18"H
- Ergonomic push handle molded into the top shelf for optimum comfort
- Four 4" Heavy-Duty non-marring casters, two with locking brake, for mobility and stability
- Molded plastic shelves and legs won't stain, scratch, dent or rust
- Three-outlet surge suppressing 15" cord and cord management system to keep cart clean and organized
- Maximum weight capacity of 400 lbs. (evenly distributed)

