



UNDERBAR SINKS
FOUR-TANK, STAINLESS STEEL BOWL



JOB	
AREA	
ITEM NO.	
MODEL NO.	

MODELS	
TS Series	TSD Series
TS44C	TSD44C
TS64C	TSD64C
TS74C	TSD74C
TS84C	TSD84C
TS94C	TSD94C



ASME A112.19.3/CSA B45.4
 NSF/ANSI 2

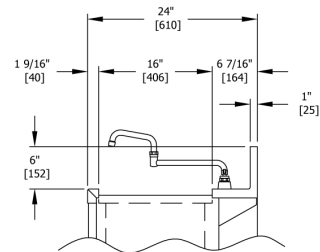
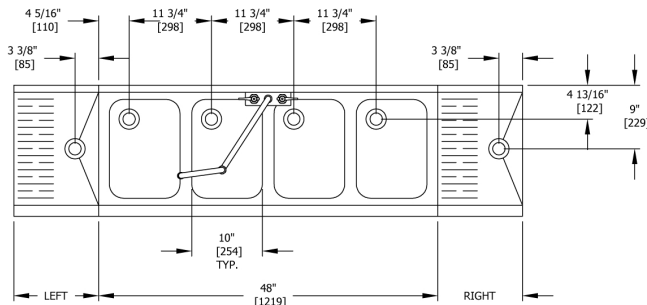
Features

- Deep drawn stainless steel bowls
- NSF listed, commercial grade hot/cold water faucet (must be ordered separately)
- Embossed stainless steel drainboard
- Underside is sound-deadening
- Stainless steel legs install without tools and have rust-free thermoplastic feet

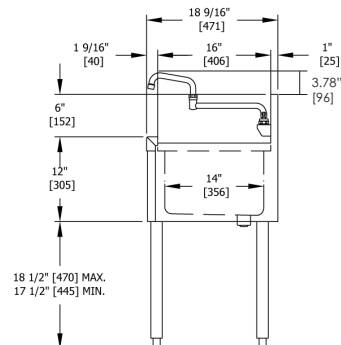
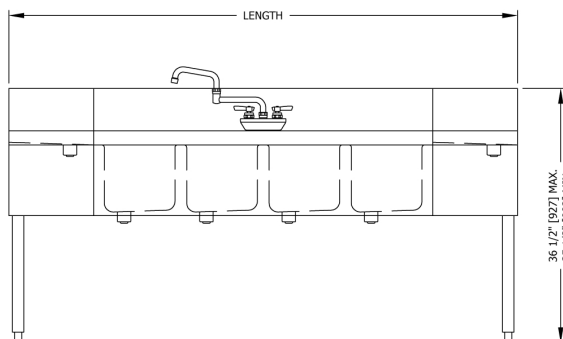


UNDERBAR SINKS
FOUR-TANK, STAINLESS STEEL BOWL

MODEL NOS.	TS(D)44C	TS(D)64C	TS(D)74C	TS(D)84C	TS(D)94C
LENGTH, INCHES (mm)	48 (1219)	72 (1829)	84 (2134)	96 (2438)	108 (2743)
SHIP WEIGHT, LBS. (kg)	125 (57)	150 (68)	165 (75)	200 (91)	220 (100)
DRAINBOARD LENGTHS	N/A	Left/Right	Left/Right	Left/Right	Left/Right
DRAINBOARD LENGTHS, INCHES (mm)	N/A	12 (305) each side	18 (458) each side	24 (610) each side	30 (762) each side
FRONT & SIDES	Stainless steel				
BACK & BOTTOM	Stainless steel				
BACKSPLASH	Stainless steel 6" high (4" high optional) with 1" return at the top, mechanically fastened and sealed to hand sink top with steel support brackets TS Series: Stainless steel rear deck				
LEGS	1-5/8" tubular, stainless steel with 1" adjustable thermoplastic feet				
DRAINBOARD	Embossed stainless steel, 16" deep front to back with 1-1/2" stainless steel drain socket. All horizontal and vertical edges 1/4" radius with balled corners. Underside sound deadening and reinforced with welded brackets				
BOWLS	Stainless steel, 10"x14"x9-1/4" deep. All horizontal and vertical edges 1-1/2" radius with balled corners. Furnished with 1-1/2" stainless steel drain socket. 8-1/2" standpipe. Sound deadening underside.				
WATER FAUCET	18" double-jointed swing spout faucet, hot and cold, heavy-duty all brass construction, chrome plated, wall or deck mounted, also available lead-free. Must be ordered separately.				
PLUMBING	Drain connection: 1-1/2" NPS male. Hot and cold water connection TS Series: 3/8" copper supply tubes TS Series: 1/2" IPS shanks and nuts				
OPTIONAL ACCESSORIES	18" double jointed swing spouts, wall or deck mounted, also available lead-free; drain connection kit, wet waste pan (drains into standpipe)				



TSD VIEW



Faucet shown for clarity.
Must be ordered separately.