

HOBART701 S Ridge Avenue, Troy, OH 45374
1-888-4HOBART • www.hobartcorp.com**FD4/150 FD4/200 FD4/300
FOODWASTE DISPOSERS****HOBART****FD4/150 FD4/200 FD4/300 FOODWASTE DISPOSERS****MEDIUM SIZE
FAST, ECONOMICAL**

In a profitable foodservice operation, there's no space, time or budget allowance for inefficient food waste handling. Here are the medium sized disposers that can end food waste storage, removal and clean-up – fast, economically.

SPECIFICATIONS

MOTORS: Continuous duty rating, equipped with manual reset thermal overload inherent protection. Permanently lubricated ball bearings for upper and lower shaft support.

HOUSINGS: Heavy ductile iron upper housing. Ductile gray cast iron lower housing, primed and powder coated. Four bolts fasten the motor unit to the grind chamber, permit easy removal.

LEGS: Tubular stainless steel with flanged feet to support housing. Adjustable to 3" in either direction.

MOUNTING: All Hobart Disposers fasten to 7" I.D. (throat opening) cones. A vinyl isolating ring eliminates metal-to-metal contact at the cone mounting, reduces vibration and noise transmission.

STATIONARY SHREDDER RING: Abrasion resistant, heated treated cast ductile iron, 1 $\frac{3}{8}$ " high, 40 grinding teeth.

FLYWHEEL: Two hardened ductile iron cutter blocks (fastened to flywheel with loctite) are replaceable, can be indexed for new cutting edges. Hardened cast ductile iron flywheel is 8" diameter.

MOTOR SHAFT SEAL: Mechanical face-type seal consists of spring loaded carbon ring insert in chemical resistant neoprene bellows. Mating surfaces are protected from grit or fibers by being recessed into flywheel.

DRAIN CONNECTOR: The removable outlet flange is tapped for 2" pipe connection.

DUAL DIRECTIONAL GRINDING: Hobart Disposers operate in either direction of flywheel rotation. Direction of rotation can be controlled by the operator (to increase life and efficiency of grinding elements – back flywheel free of a "jam") when installed with Control Groups 5 & 6.

WEIGHT: Shipping – Approx. 158 lbs. (does not include accessory group or controls).

Complies with
ASSE 1009

FD4/150 FD4/200 FD4/300 FOODWASTE DISPOSERS



701 S Ridge Avenue, Troy, OH 45374
1-888-4HOBART • www.hobartcorp.com

ACCESSORY GROUPS

GROUP A



Nitrile Rubber Scrapping Ring



Stainless Steel Silver-Saver Sleeve with Side Feed Hole



Water Swirl



Vacuum Breaker

GROUP B



Nitrile Rubber Silver-Saver Splash Guard Ring



Water Swirl



Vacuum Breaker

GROUP C



Nitrile Rubber Silver-Saver Splash Guard Ring



Vacuum Breaker



Pre-Rinse Spray with Wall Bracket

GROUP D



Nitrile Rubber Silver-Saver Splash Guard Ring



7" I.D. Stainless Steel Weld-in Adapter for Sink



Fixed Direction Water Inlet for Sink



Vacuum Breaker

ACCESSORY COMPONENTS

CONES-SINK – Stainless Steel



Part No.

Cone 15" I.D. w/hole for water swirl inlet 204007

Cone 18" I.D. w/hole for water swirl inlet 204004

Cone 15" I.D. w/out swirl hole 204006

Cone 18" I.D. w/out swirl hole 204003



Sink 16" x 20" x 7" (7" opening) w/hole for water inlet.....204015-2

WATER INLETS



Cone Water Swirl Inlet 1/2" N.P.T..... 204380



Fixed Direction Water Inlet (for sinks or troughs) 1/2" N.P.T. 204346

FLOW CONTROL



8 Gallons per minute for Models FD/150 through FD/300 – 3/4" N.P.T. 204368

CONE COVER – STAINLESS STEEL



15" Cone cover w/feed hole 204024

18" Cone Cover w/feed hole..... 204023

CONE FEEDING ACCESSORIES



Part No.

Nitrile Rubber Scrapping Ring 202113



Stainless Steel Silver-Saver Sleeve with side feed hole..... 203870

SILVER-SAVER SPLASH GUARD RING



Nitrile Rubber Silver-Saver and Splash Guard Ring (for 7" opening cones, sinks and adapter)..... 202120

SINK ADAPTER – Standard Group D Accessory



7" I.D. Stainless Steel Adapter for Welding to Sink or Trough 204853

VACUUM BREAKERS – Luster Chrome Plated



3/4" 74338

PRE-RINSE SPRAYS

PR-3 Heavy-duty Flexible Pre-rinse Spray (38" high with wall bracket) ML-32333



Adapters are available to install Hobart Disposers on existing cones. See Form F7543.

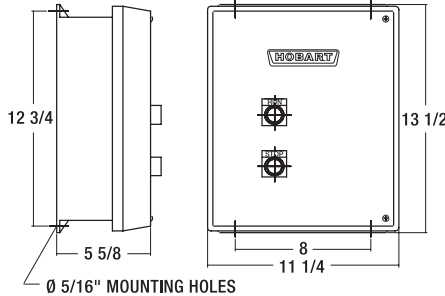


701 S Ridge Avenue, Troy, OH 45374
1-888-4HOBART • www.hobartcorp.com

FD4/150 FD4/200 FD4/300 FOODWASTE DISPOSERS

ELECTRICAL CONTROL GROUPS

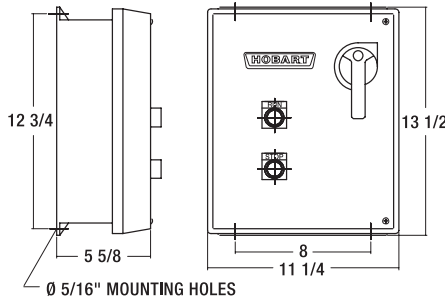
Listed by Underwriters Laboratories Inc., for use with FD3 and FD4 Disposers (50 Hz. Electrical Specifications not UL listed)



Group 5 - For all Models

- Includes:*
Magnetic Contactors
Pushbutton Start and Stop
Automatic Reversing
NEMA 4 Enclosure
Solenoid Valve (24 V only)

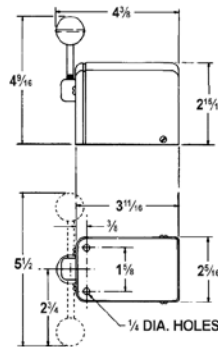
Approximate
Shipping Wt. 19 lbs.



Group 6 - For all Models

- Includes:*
Magnetic Contactors
Pushbutton Start and Stop
Automatic Reversing
Time Delay for water after shut-off
Line Disconnect
Solenoid Valve (24 V only)
NEMA 4 Enclosure

Approximate
Shipping Wt. 20 lbs.



Group 4 - For Model FD4/150 and FD4/200

- Includes:*
Manual Reversing Switch
NEMA 1 Enclosure or NEMA 4 Enclosure
Not available above 250 volts
Optional Solenoid Valve

Approximate
Shipping Wt. 11 lbs.

| Model | H.P. | Ph. | Hz. | Volts | Rated Amps |
|---------|------|-----|-----|-----------------|-------------|
| FD4/150 | 1½ | 1 | 60 | 120/208-240 | 16.0/8.0 |
| | 1½ | 3 | 60 | 208-240/480 | 4.4-4.2/2.1 |
| FD4/200 | 2 | 1 | 60 | 120/208-240 | 17.6/8.8 |
| | 2 | 3 | 60 | 208-240/480 | 6.0-5.8/2.9 |
| FD4/300 | 3 | 3 | 60 | 208-240/480 | 9.9-9.0/4.5 |
| FD4/150 | 1½ | 1 | 50 | 110-120/220-240 | 15.0/7.5 |
| | 1½ | 3 | 50 | 220-240/380-415 | 4.8/2.4 |
| FD4/200 | 2 | 1 | 50 | 110-120/220-240 | 19.0/9.5 |
| | 2 | 3 | 50 | 220-240/380-415 | 6.3/3.3 |
| FD4/300 | 3 | 3 | 50 | 220-240/380-415 | 10.4/5.2 |

The slant (/) indicates the dual voltage operation accomplished by motor lead connection: follow connecting diagram on motor.

SAMPLE SPECIFICATION

FD4/200 — B — 4 (240/60/3)

Electrical Specifications

Electrical Control Group

Accessory Group

Model Number

Cut hole 19" for 18" cone. Hole to be 16" for 15" cone.

Solenoid must be installed in upright position.

Disposer may be easily rotated for better drain line connection.

Center line at wall outlet of trap should not be higher than center line of disposer discharge opening

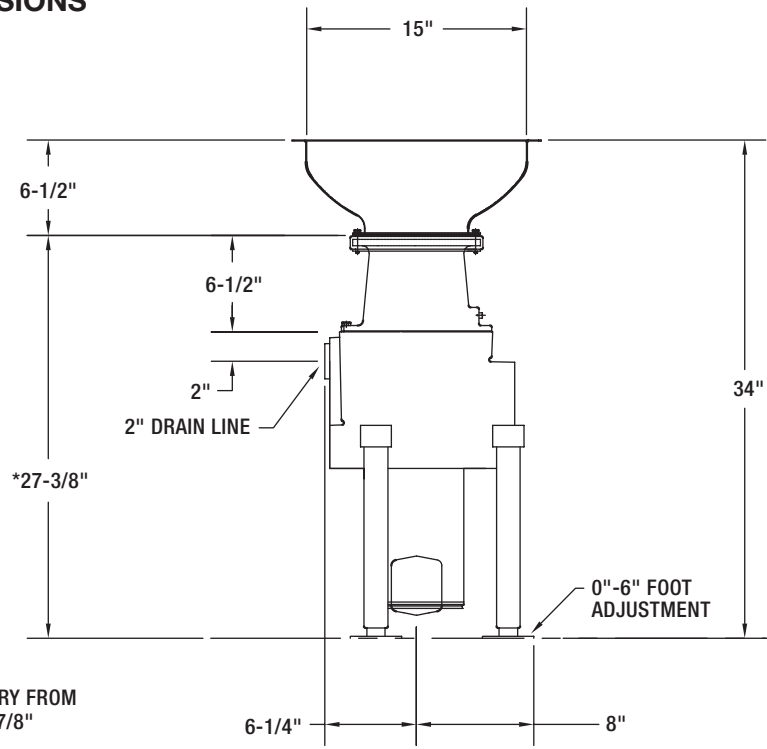
If water pressure is in excess of 60 P.S.I. install a pressure reducing valve.

FD4/150 FD4/200 FD4/300 FOODWASTE DISPOSERS



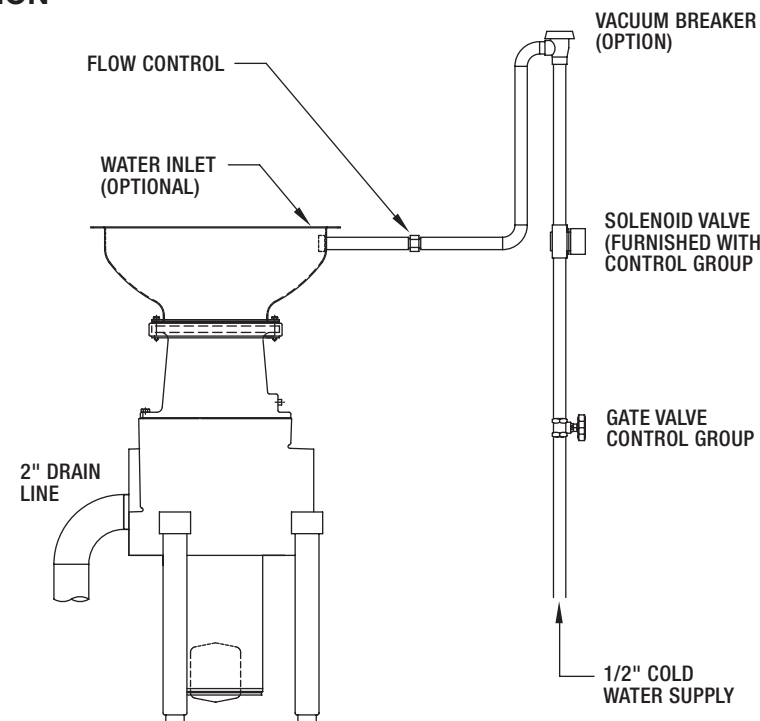
701 S Ridge Avenue, Troy, OH 45374
1-888-4HOBART • www.hobartcorp.com

DETAILS AND DIMENSIONS



NOTE: Specify 15" or 18" Cone When Desired.

TYPICAL INSTALLATION



As continued product improvement is a policy of Hobart, specifications are subject to change without notice.